

DATASHEET

BACK PRESSURE MAINTAINING VALVES (BPMV): H11

| MODEL CODE | | | | | | |
|------------|---|---|----|-----|---|----|
| H11 | 1 | 1 | SS | 37P | N | NY |

| MODEL TYPE | |
|------------|---------------------------------|
| H11 | BACK PRESSURE MAINTAINING VALVE |

| INLET PRESSURE | |
|----------------|---------------------|
| 1 | 4,500 Psi (310 Bar) |

| SET PRESSURE RANGE | |
|--------------------|----------------------------------|
| 1 | 250 ~ 1,000 Psi (17 ~ 69 Bar) |
| 2 | 1,000 ~ 4,500 Psi (69 ~ 310 Bar) |

| MATERIAL | |
|----------|------------------|
| A | ALUMINIUM |
| AB | ALUMINIUM BRONZE |
| BR | BRASS |
| SS | STAINLESS STEEL |

| SEAT MATERIAL | |
|---------------|---------|
| NY | POLYMER |
| PT | PTFE |

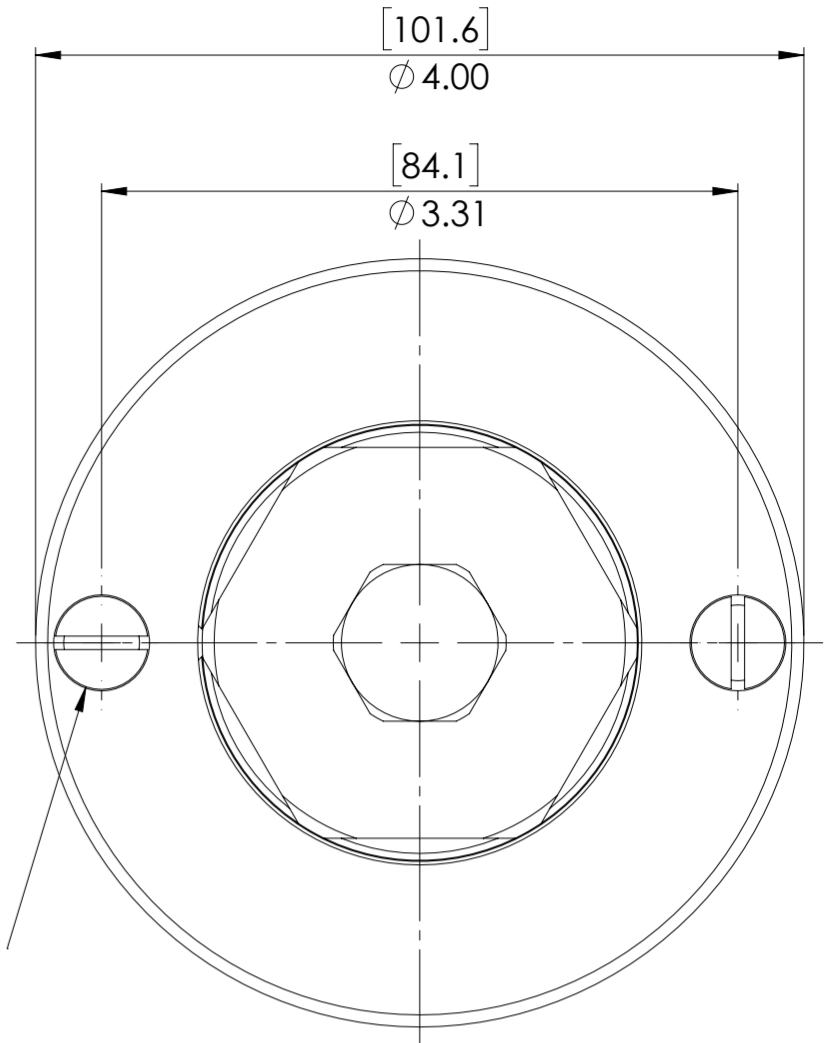
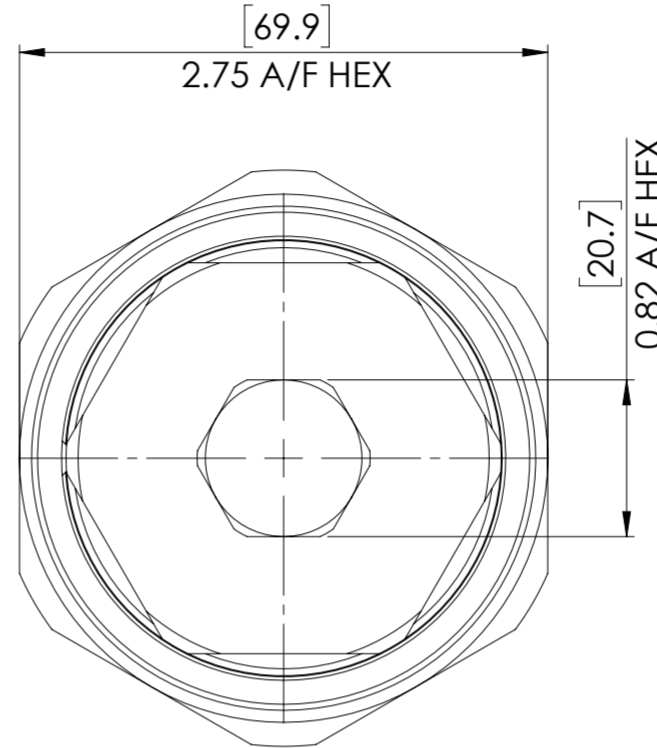
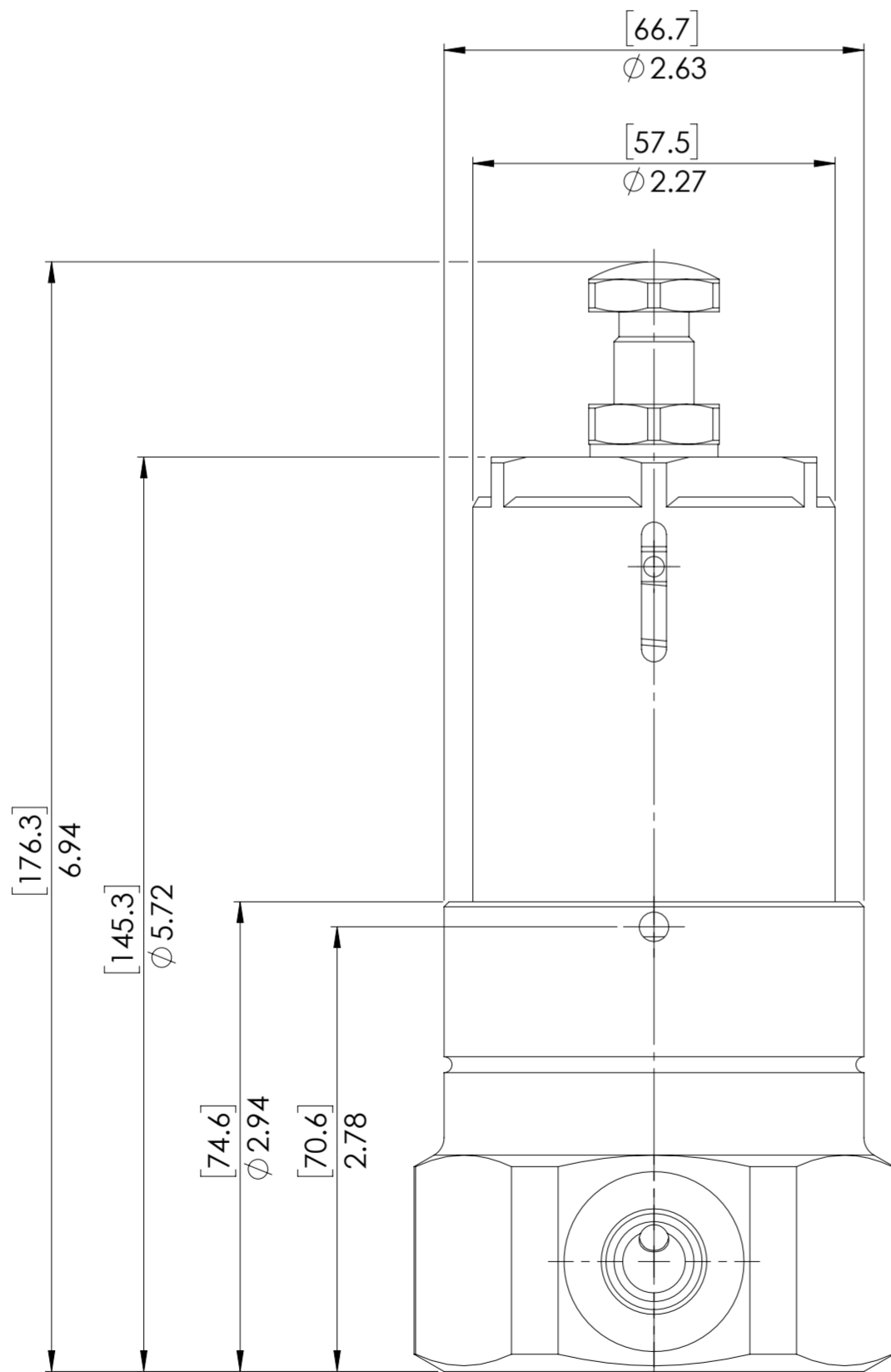
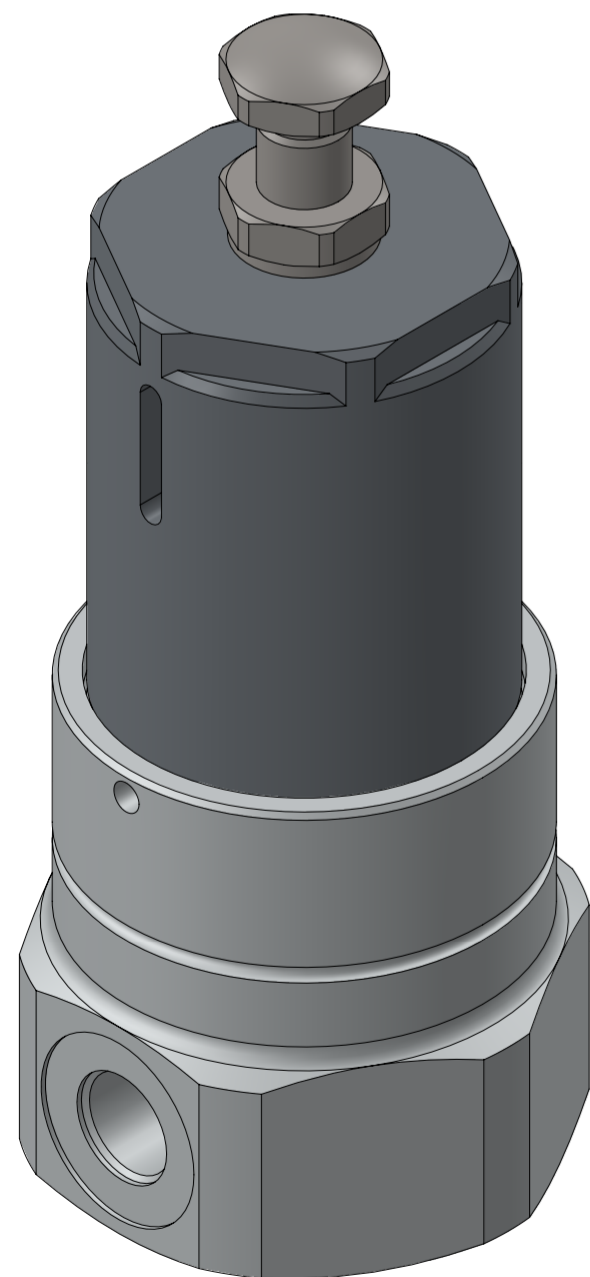
| SEAL MATERIAL | |
|--------------------------------------|---------|
| N | NITRILE |
| V | VITON |
| OTHER MATERIALS AVAILABLE ON REQUEST | |

| PORTS | |
|-------|----------|
| 25P | 1/4 BSPP |
| 25N | 1/4 NPT |
| 37P | 3/8 BSPP |
| 37N | 3/8 NPT |

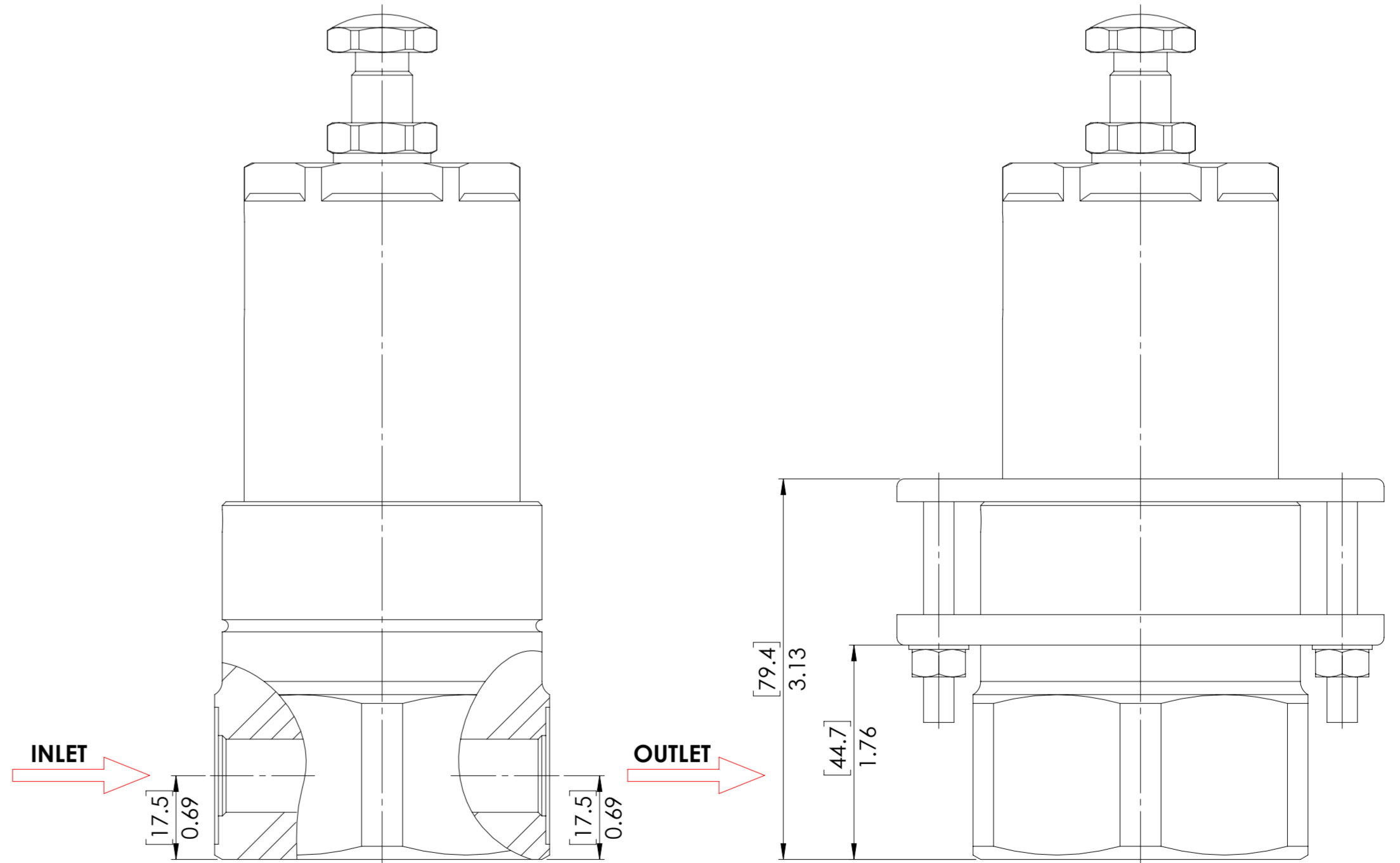
SPECIFICATION

- ORIFICE: 4.8mm(0.19")
- MEDIUM: GAS AND LIQUID
- DRY WEIGHT: 1.50 kg (3.30 lb) (ALUMINIUM ALLOY)

MOUNTING OPTION AVAILABLE



2 OFF M6 x 50mm
C/SUNK SCREWS



| | | | | | | | |
|----------------------------------------------------------------------------------------------------------------------------------------------------------------------------------------------------------------------------|----------|--------------|----------------------|--------------|---------------|--------------------------------------------------------------------------------------------------------------------|----------------|
| © AND DESIGN RIGHT BIS WELLS LTD. ALL RIGHTS RESERVED. WITHOUT THE PRIOR WRITTEN PERMISSION OF BIS WELLS LTD NO PART OF THIS DOCUMENT MAY BE ALTERED, ADAPTED, PUBLISHED, REPRODUCED OR TRANSMITTED IN ANY FORM OR MEDIUM. | | | | | | UNLESS OTHERWISE SPECIFIED DIMENSIONS ARE IN INCHES 1. LINEAR TOLERANCES : ±0.1" 2. ANGULAR TOLERANCES : ±2° | |
| DRAWN | N.DANIEL | SHEET 1 OF 1 | 3RD ANGLE PROJECTION | DRAWING SIZE | DRAWING SCALE | | DRAWING NUMBER |
| DATE | 20/01/20 | ISSUE | | 1 | A2 | 1:2 | DS0031 |