

DATASHEET

BACK PRESSURE MAINTAINING VALVE (BPMV): H100 AND H101

MODEL CODE						
H100	1	1	AA	50P	N	NY

MODEL TYPE	
H100	DOME LOADED INTERNALLY
H101	DOME LOADED EXTERNALLY

MAXIMUM INLET PRESSURE	
1	1,000 Psi (70 Bar)

SET PRESSURE RANGE	
1	0.75 ~ 1,000 Psi (0.05 ~ 70 Bar)

MATERIAL	
AA	ALUMINIUM ALLOY
SS	STAINLESS STEEL
AB	ALUMINIUM BRONZE
BR	BRASS

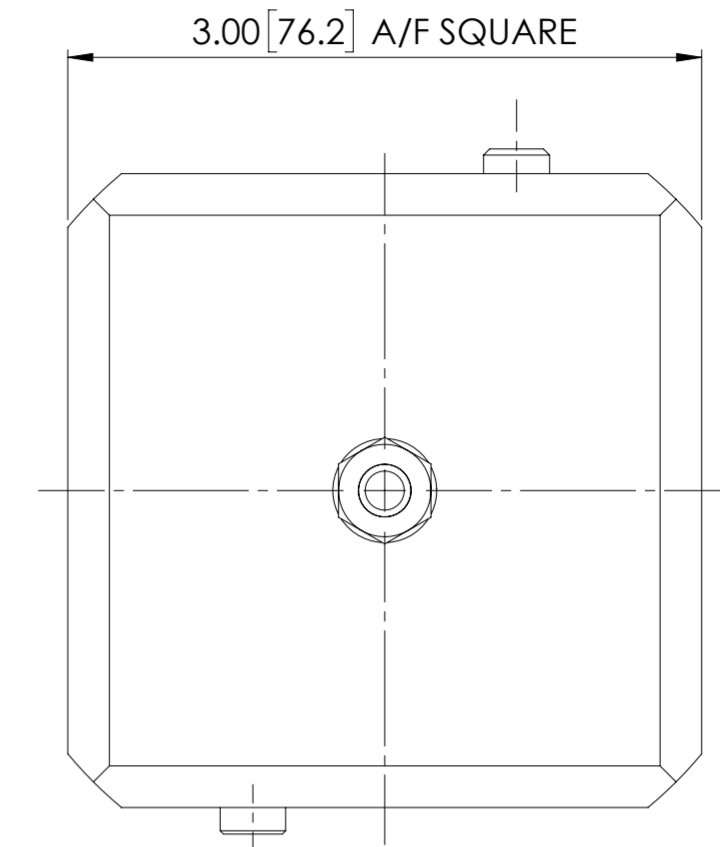
SEAT MATERIAL	
NY	NYLON
PT	PTFE

SEALS	
N	NITRILE
V	VITON
OTHER MATERIALS AVAILABLE ON REQUEST	

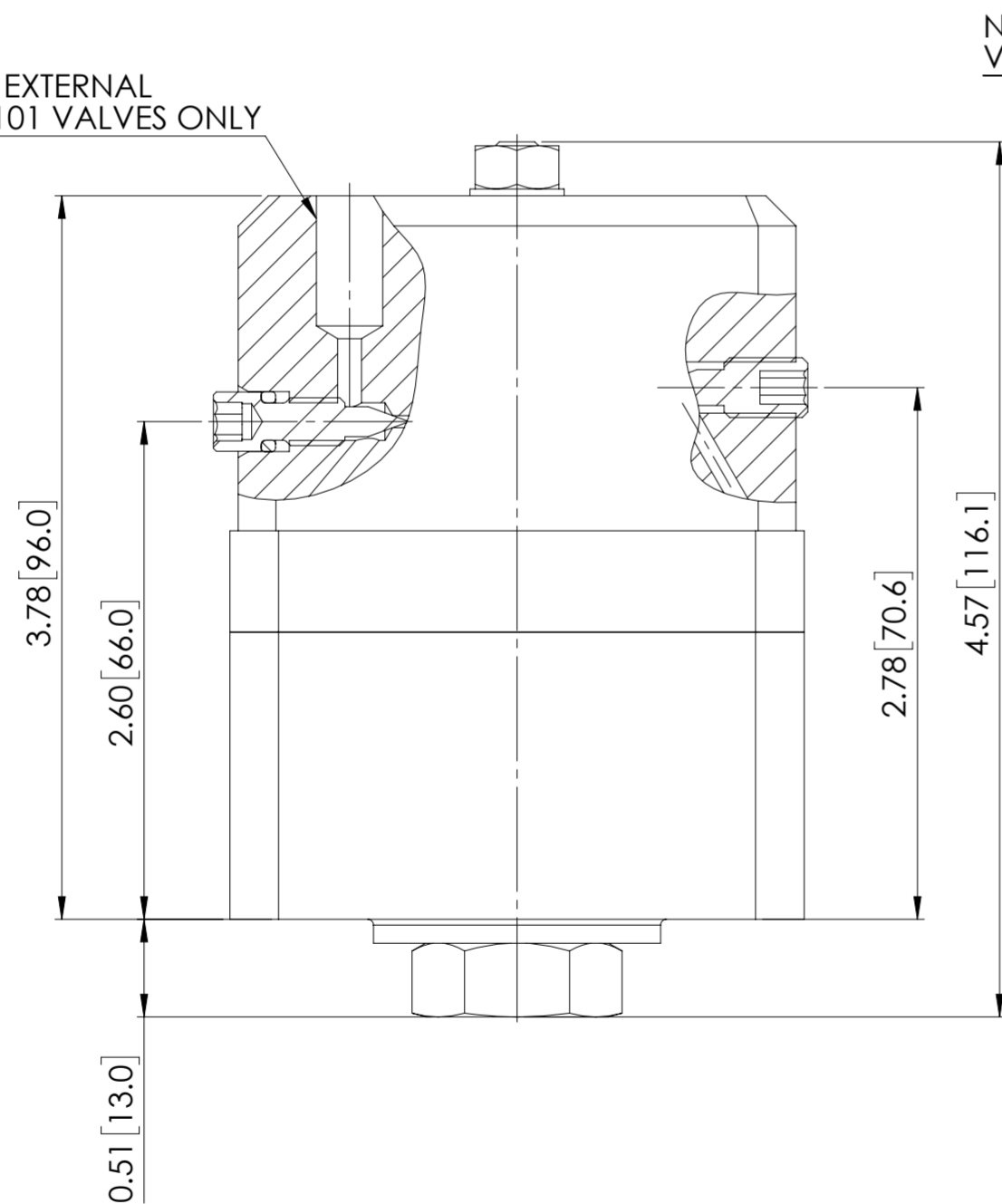
PORTING	
50P	1/2" BSPP
50N	1/2" NPT

SPECIFICATION

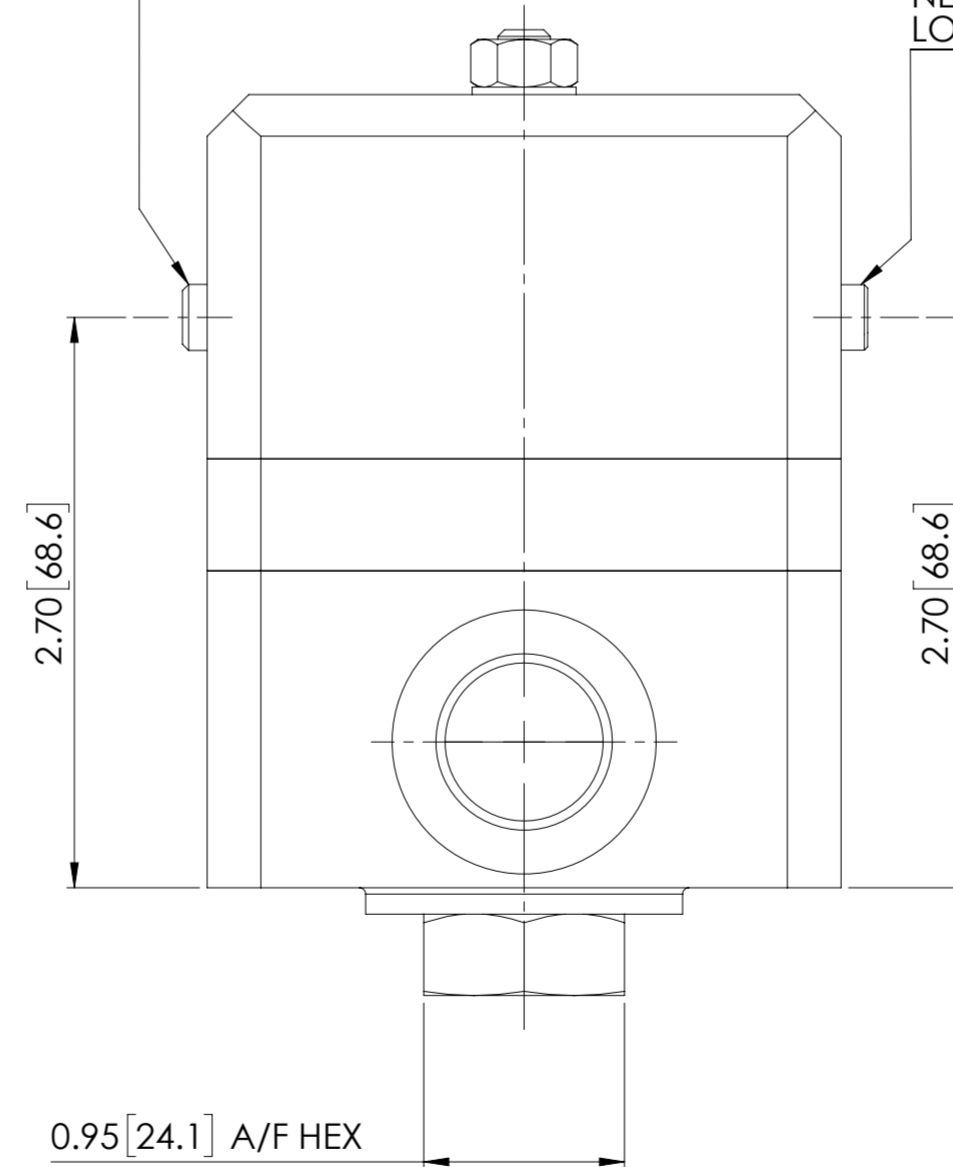
- ORIFICE: 11.1mm (0.44")
- MEDIUM: H100 - GAS ONLY
- MEDIUM: H101 - GAS AND LIQUID
- DRY WEIGHT: 1.30 kg (2.86 lb)
(ALUMINIUM ALLOY)
- OXYGEN SERVICE AVAILABLE



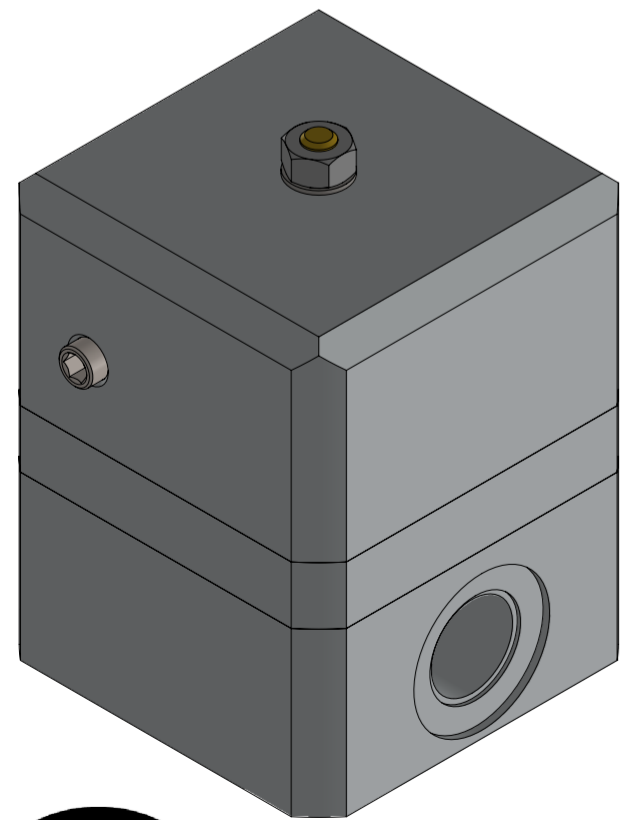
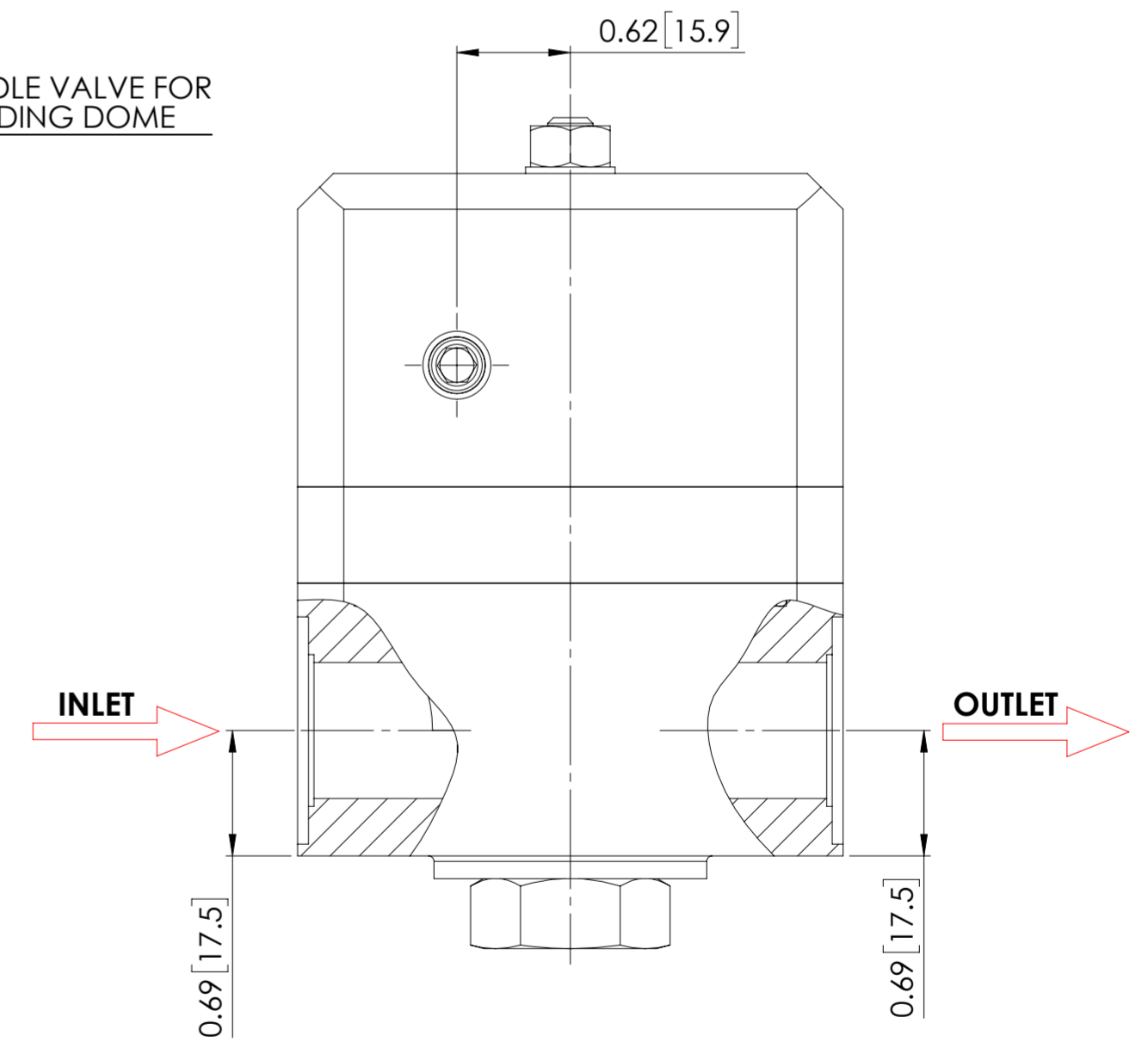
1/8" BSPP PORT FOR EXTERNAL DOME LOADING. H101 VALVES ONLY



NEEDLE VALVE FOR VENTING DOME



NEEDLE VALVE FOR LOADING DOME



© AND DESIGN RIGHT BIS WELLS LTD. ALL RIGHTS RESERVED. WITHOUT THE PRIOR WRITTEN PERMISSION OF BIS WELLS LTD NO PART OF THIS DOCUMENT MAY BE ALTERED, ADAPTED, PUBLISHED, REPRODUCED OR TRANSMITTED IN ANY FORM OR MEDIUM.				UNLESS OTHERWISE SPECIFIED DIMENSIONS ARE IN INCHES 1. LINEAR TOLERANCES : ±0.1" 2. ANGULAR TOLERANCES : ±2°						
DRAWN	N.DANIEL	SHEET	1 OF 1	 3RD ANGLE PROJECTION	DRAWING SIZE	A2	DRAWING SCALE	1:1	DRAWING NUMBER	DS0063
DATE	24/06/20	ISSUE	1							