

Installation Operation and Maintenance Manual

B2 STOP VALVE



THIS DOCUMENT is only applicable to the service of the B2 Stop Valve. General instructions regarding installation, operation and maintenance for all types of stop valves must be read prior.

STOP VALVES INSTRUCTIONS.

These instructions are confined to the replacement of the Valve Seat and O-Ring seals only. Any damage caused to other components would require the units return to the manufacturer.

Before undertaking any servicing of the stop valve, ensure the valve is completely isolated from the supply and outlet pressures, and any pressure in the valve has been removed.

Before commencing the valve refurbishment, it is recommended that the valve be removed from the line and worked on in a clean environment.

Cleanliness during assembly is most important, particularly on all sealing surfaces.

BEFORE SERVICE, REFER TO THE STOP VALVE GENERAL INSTRUCTIONS

B2 SERVICING

DISMANTLING

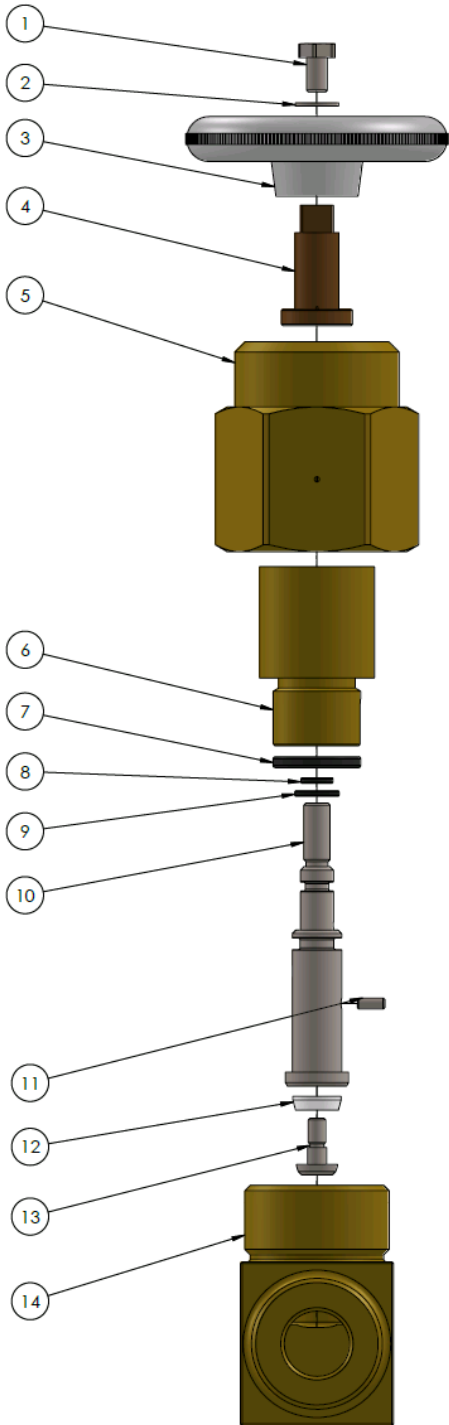
1. Unscrew Bolt (1) complete with washer (2) and remove Handwheel (3) from Spindle (4).
2. Unscrew Retaining Nut (5) from Valve Body (14)
3. Remove the Spindle (4)
4. Remove the Valve Guide (6), O-Ring (7). The Valve Assembly (8, 9,10,11,12,13) will also be removed from Valve Body (14).
5. Pull the Valve Assembly (8, 9,10,11,12,13) from inside the Valve guide (6)
6. Remove O-Rings (7,8,9)
7. Unscrew retaining screw (13) and remove Valve Seat (12).
8. Inspect internal cavities in the Body (14) for excess wear and damage.

REASSEMBLY

1. Fit new O-ring (7) onto Valve guide (6)
2. Push the Valve Seat (12) into Valve Plunger (10), and retain using the Retaining Screw (13).
3. Replace O-rings (8,9) and insert Valve Assembly (8, 9,10,11,12,13) into the Valve guide (6)
4. Push the Valve Guide (6) into the Valve Body (14).
5. Screw Operating Spindle (4) onto the Valve Plunger (10) and screw the Retaining Nut (5) into the Body (14). Torque up to 80 Nm.
6. Place Handwheel (3) on the Spindle (4) and fasten with the Bolt (1) and Washer (2).

NOTE: Ensure lubricants are compatible with the system medium.

B2 EXPLODED VIEW



RECOMMENDED SPARES KIT

B2 STANDARD STOP VALVE

ITEM	DESCRIPTION	QUANTITY
12	Valve Seat	1
7	O-Ring	1
8	O-Ring	1
9	O-Ring	1