

# DATASHEET

## PILOT OPERATED STOP VALVE: K39H2 - HYDROGEN SPECIFIC

MODEL CODE						
K39H2	1	1	SS	50PF	N	PE

MODEL TYPE	
K39H2	2 PORT PILOT OPERATED STOP VALVE. NORMALLY CLOSED

MAXIMUM INLET PRESSURE	
1	500 Bar (7,250 Psi)

PILOT PRESSURE RANGE	
1	4 ~ 8 Bar (60 ~ 120 Psi)

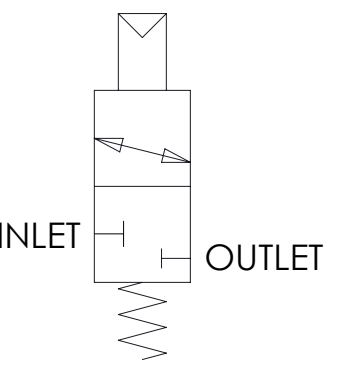
MATERIAL	
SS	STAINLESS STEEL

SEAT MATERIAL	
PE	PEEK
OTHER MATERIALS AVAILABLE ON REQUEST	

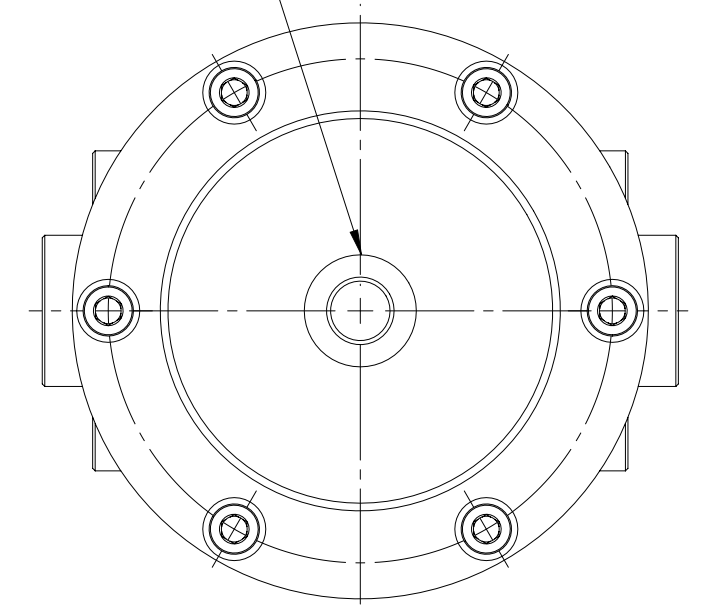
SEALS	
N	NITRILE
V	FKM
H	HNBR
E	EPDM
OTHER MATERIALS AVAILABLE ON REQUEST	

PORTING	
50PF	1/2" BSPP FEMALE
50NF	1/2" NPT FEMALE
50PM	1/2" BSPP MALE
OTHER OPTIONS AVAILABLE ON REQUEST	

VALVE SYMBOL

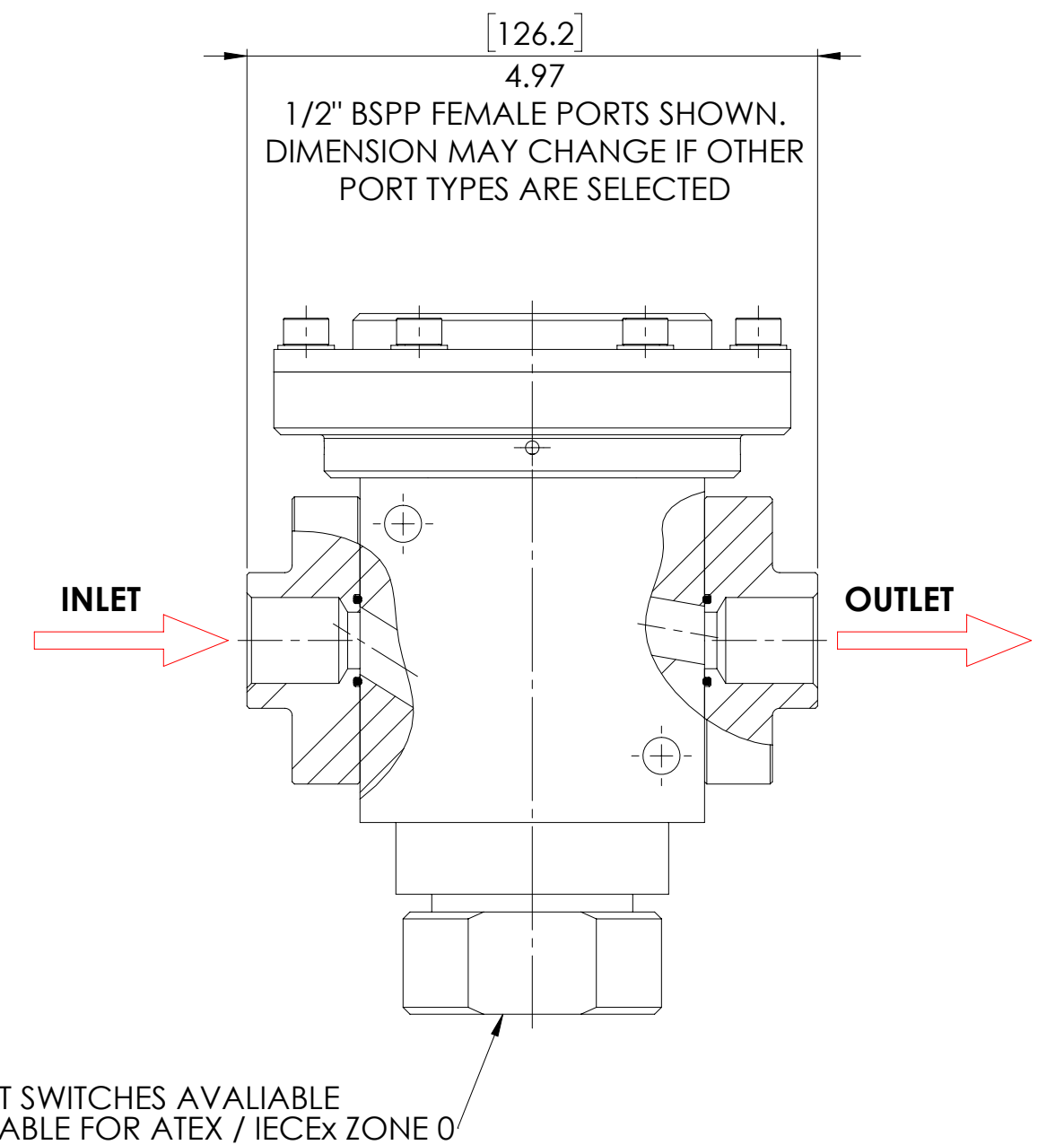
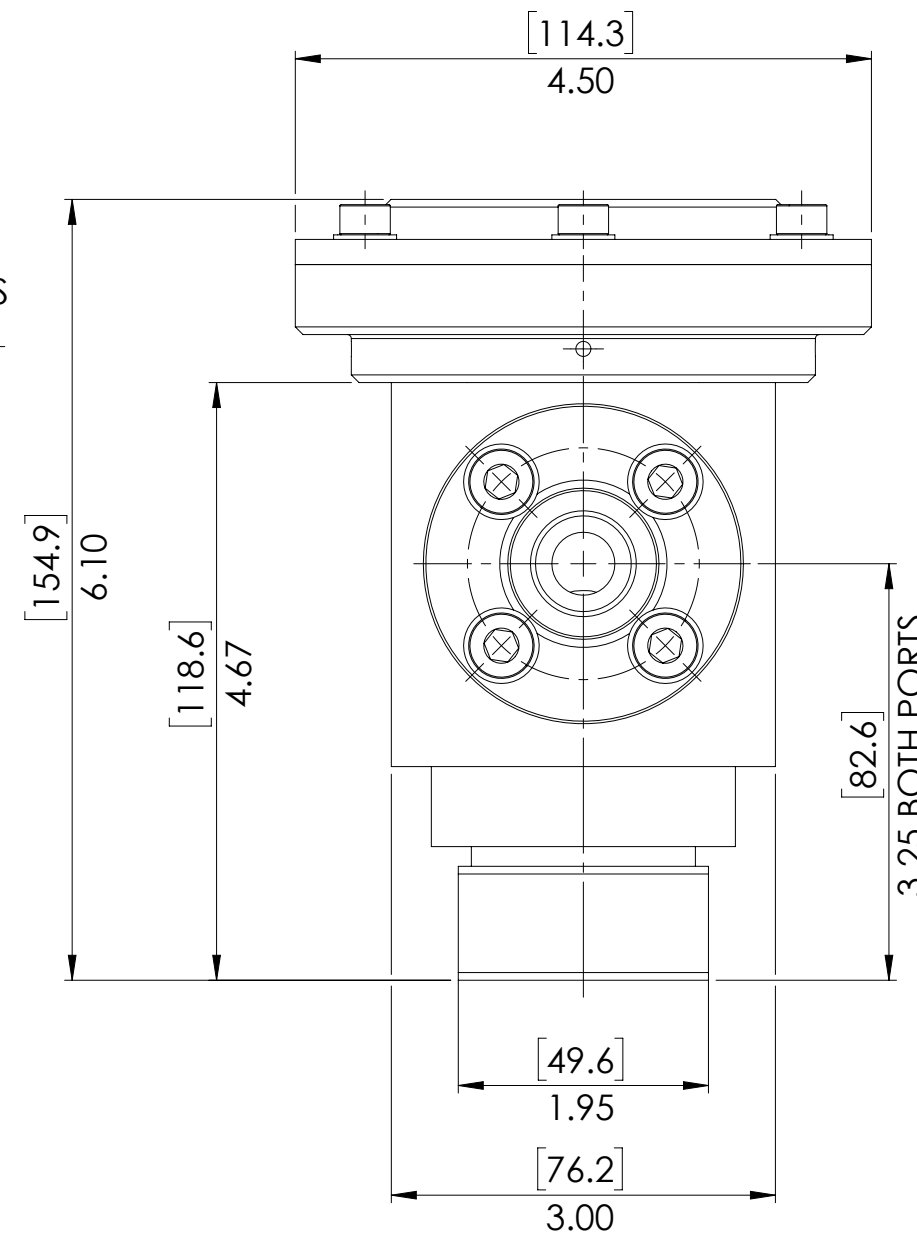
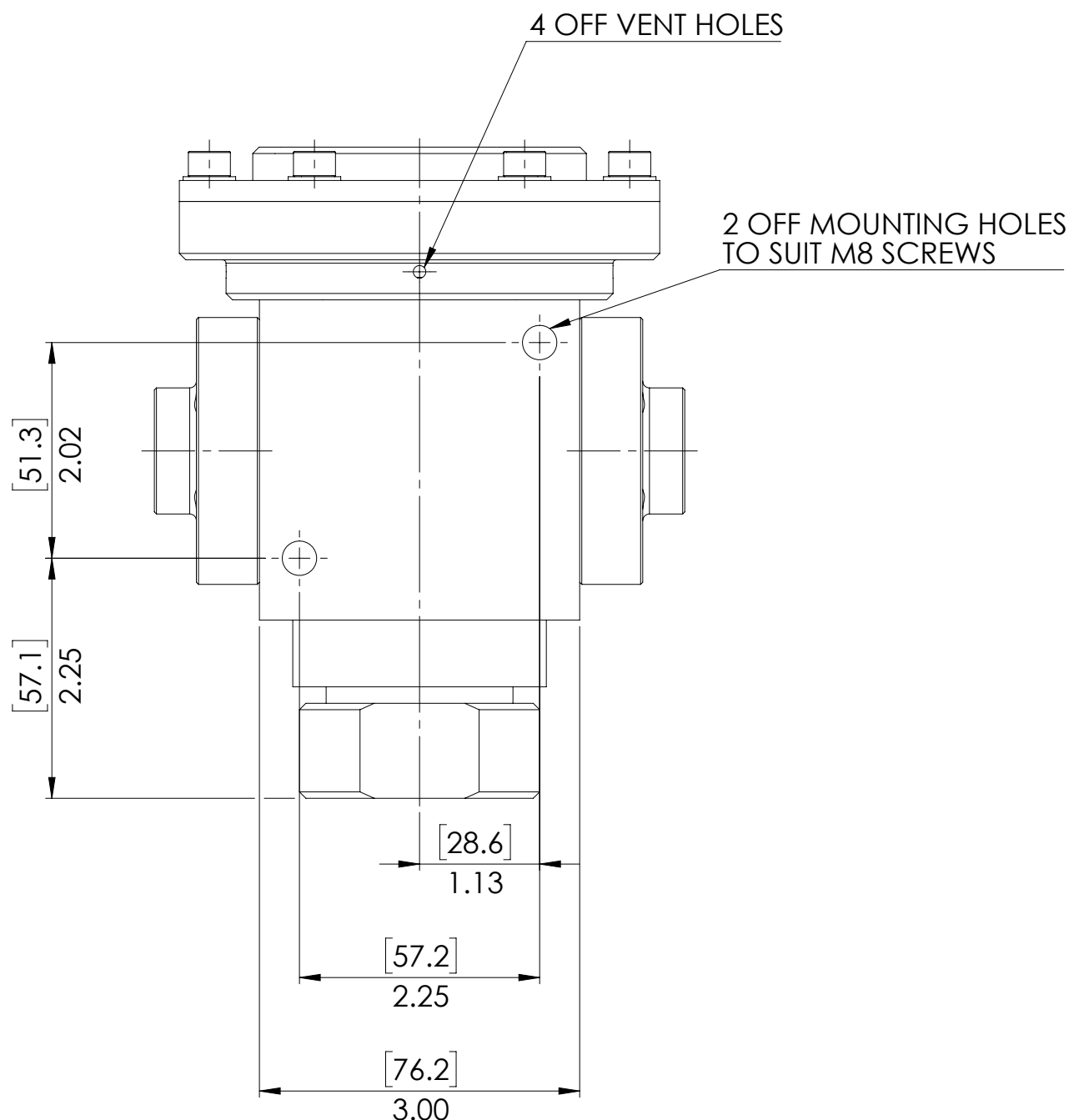


PILOT PORT (1/4" BSPP)



### SPECIFICATION

- MAXIMUM WORKING PRESSURE: 500 Bar (7,250 Psi)
- Cv: 3.0.
- SEAT DIAMETER: 12.7 mm (1/2")
- 2 PORT 2 POSITION (2/2)
- PRESSURE BIASED
- NORMALLY CLOSED
- PILOT MEDIUM: GAS OR LIQUID
- DRY WEIGHT: 6.7 kg (14.7 lb)



© AND DESIGN RIGHT Bis Wells LTD. ALL RIGHTS RESERVED. WITHOUT THE PRIOR WRITTEN PERMISSION OF Bis Wells Ltd NO PART OF THIS DOCUMENT MAY BE ALTERED, ADAPTED, PUBLISHED, REPRODUCED OR TRANSMITTED IN ANY FORM OR MEDIUM.				UNLESS OTHERWISE SPECIFIED DIMENSIONS ARE IN INCHES 1. LINEAR TOLERANCES : ±0.1" 2. ANGULAR TOLERANCES : ±2°					
DRAWN	J.PHELAN	SHEET	1 OF 1	 3RD ANGLE PROJECTION	DRAWING SIZE	A2	DRAWING SCALE	2:3	DRAWING NUMBER DS0073
DATE	09/07/21	ISSUE	2						