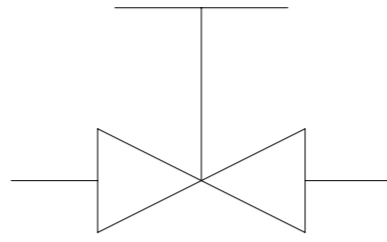


DATASHEET

STOP AND FLOW CONTROL VALVES: B102H2 - HYDROGEN SPECIFIC

CIRCUIT SYMBOL



| MODEL CODE | | | | | |
|------------|---|----|------|---|----|
| B102H2 - | 1 | SS | 50PF | N | PE |

| MODEL TYPE | |
|------------|-----------------------------|
| B102H2 | STOP AND FLOW CONTROL VALVE |

| MAXIMUM INLET PRESSURE | |
|------------------------|---------------------|
| 1 | 500 BAR (7,250 Psi) |

| MATERIAL | |
|----------|-----------------|
| SS | STAINLESS STEEL |

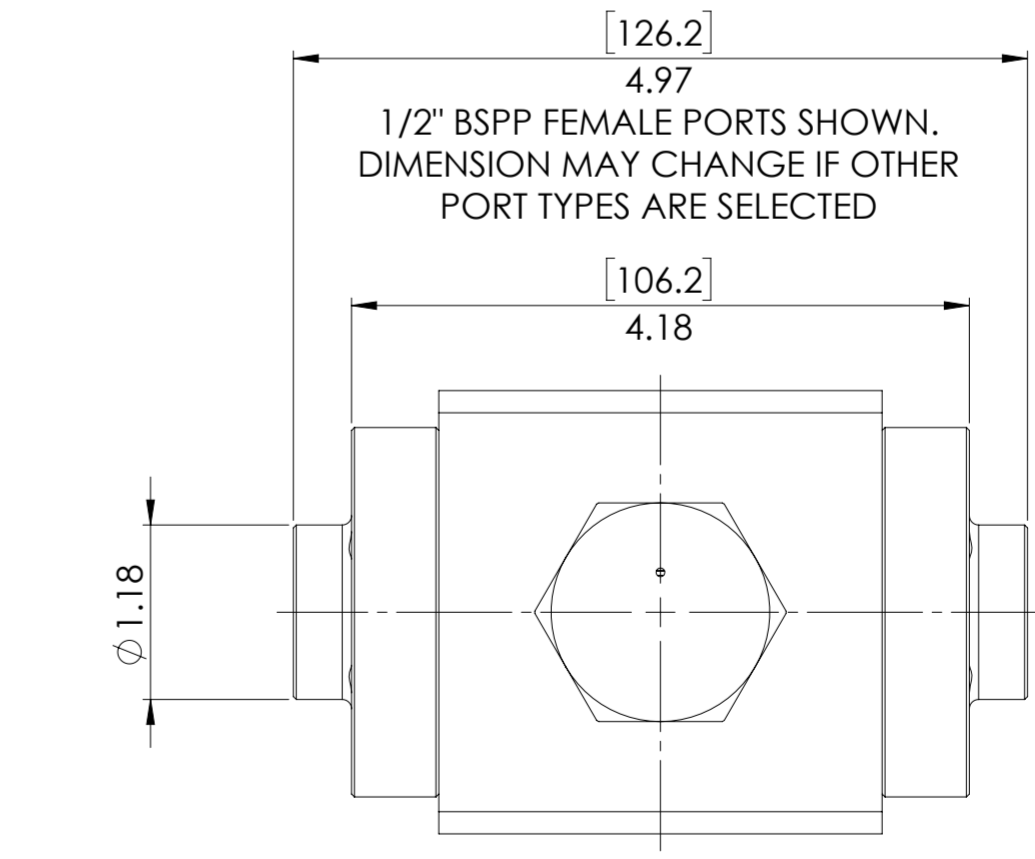
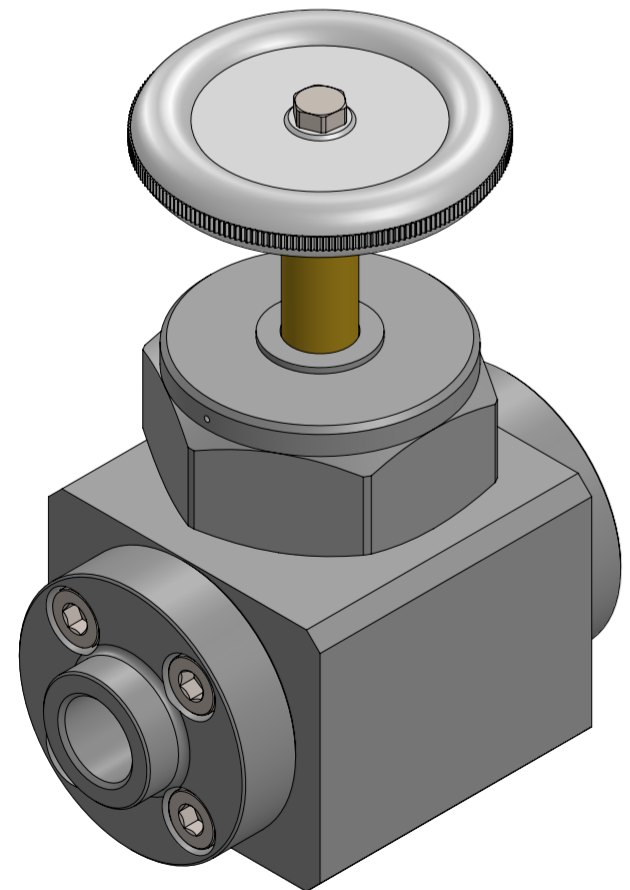
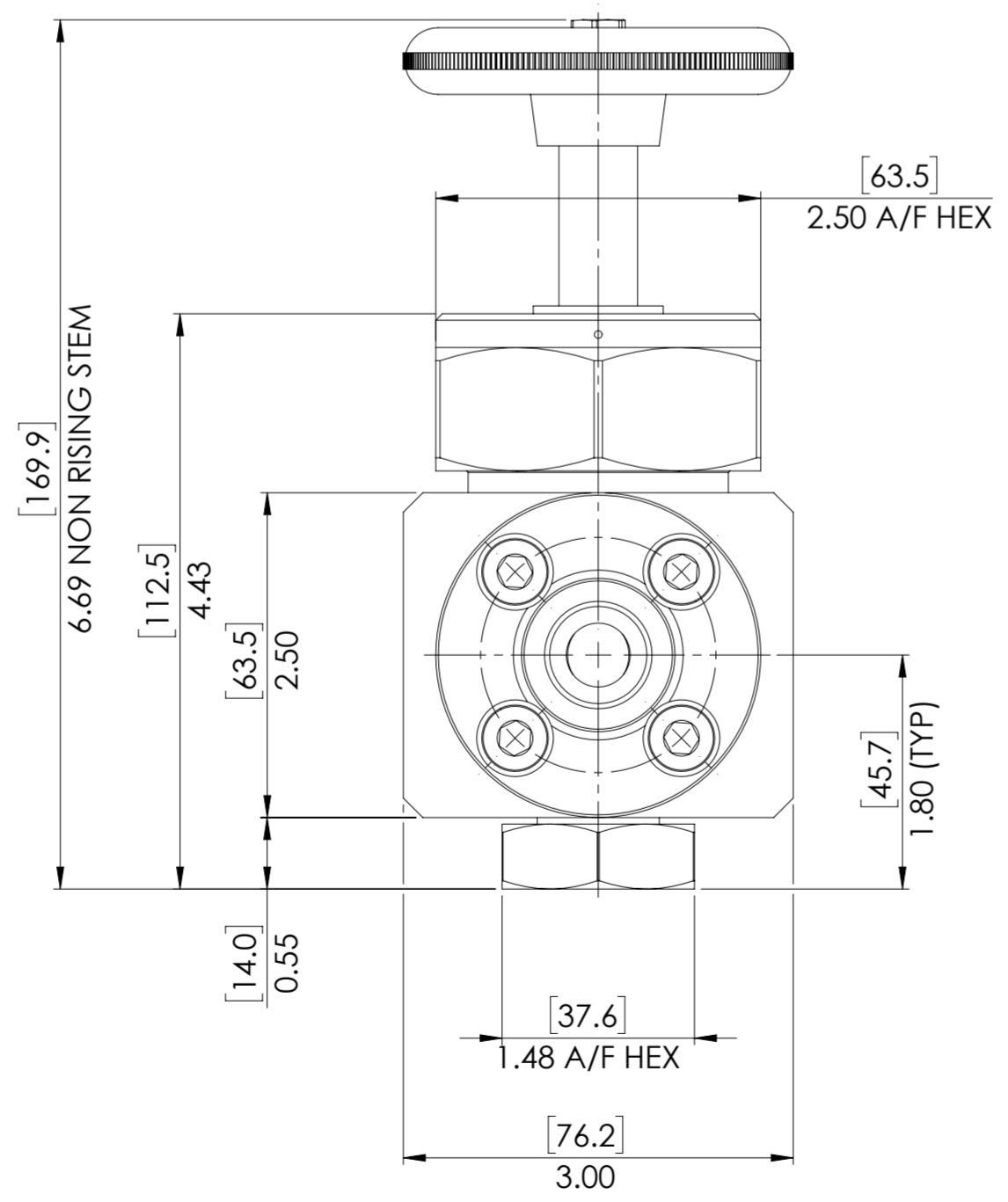
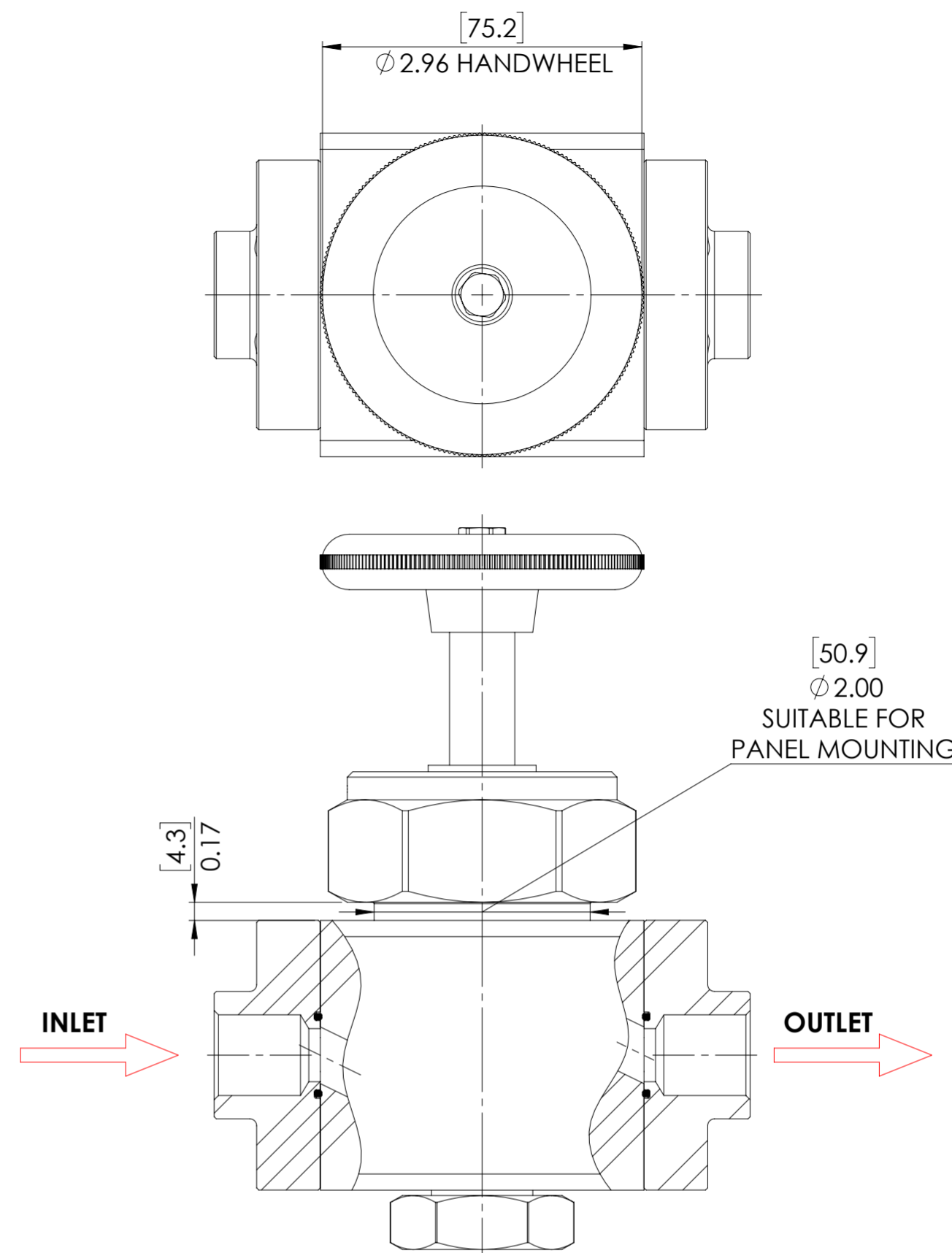
| SEAT MATERIAL | |
|--------------------------------------|------|
| PE | PEEK |
| OTHER MATERIALS AVAILABLE ON REQUEST | |

| SEALS | |
|--------------------------------------|---------|
| N | NITRILE |
| V | FKM |
| H | HNBR |
| E | EPDM |
| OTHER MATERIALS AVAILABLE ON REQUEST | |

| PORTS | |
|------------------------------------|------------------|
| 50PF | 1/2" BSPP FEMALE |
| 50NF | 1/2" NPT FEMALE |
| 50PM | 3/4" BSPP MALE |
| OTHER OPTIONS AVAILABLE ON REQUEST | |

SPECIFICATION

- MAXIMUM WORKING PRESSURE: 500 Bar (7,250 Psi)
- DRY WEIGHT: 4.6Kg (10.1Lb)
- NON RISING STEM
- BALANCED SPOOL DESIGN
- Cv: 3.0
- ORIFICE DIAMETER: 12.7mm (0.5")



| | | | | | | | | |
|--|----------|-------|--------|--|----|---------------|----------------|--------|
| © AND DESIGN RIGHT Bis Wells LTD. ALL RIGHTS RESERVED. WITHOUT THE PRIOR WRITTEN PERMISSION OF Bis Wells Ltd NO PART OF THIS DOCUMENT MAY BE ALTERED, ADAPTED, PUBLISHED, REPRODUCED OR TRANSMITTED IN ANY FORM OR MEDIUM. | | | | UNLESS OTHERWISE SPECIFIED DIMENSIONS ARE IN INCHES 1. LINEAR TOLERANCES : ±0.1" 2. ANGULAR TOLERANCES : ±2° | | | | |
| DRAWN | J.PHELAN | SHEET | 1 OF 1 | DRAWING SIZE | A2 | DRAWING SCALE | 1:2 | |
| DATE | 13/07/21 | ISSUE | 2 | 3RD ANGLE PROJECTION | | | | |
| | | | | | | | DRAWING NUMBER | DS0074 |