

DATASHEET

EXCESS FLOW VALVE (SLAM SHUT): G10H2 - HYDROGEN SPECIFIC

MODEL CODE	
G10H2 -	1 1 SS 37P N

MODEL TYPE	
G10H2 -	G10 (EXCESS FLOW VALVE)

MAXIMUM INLET PRESSURE	
1	500 Bar (7,250 Psi)

RESET	
1	AUTOMATIC RESET
2	MANUAL RESET

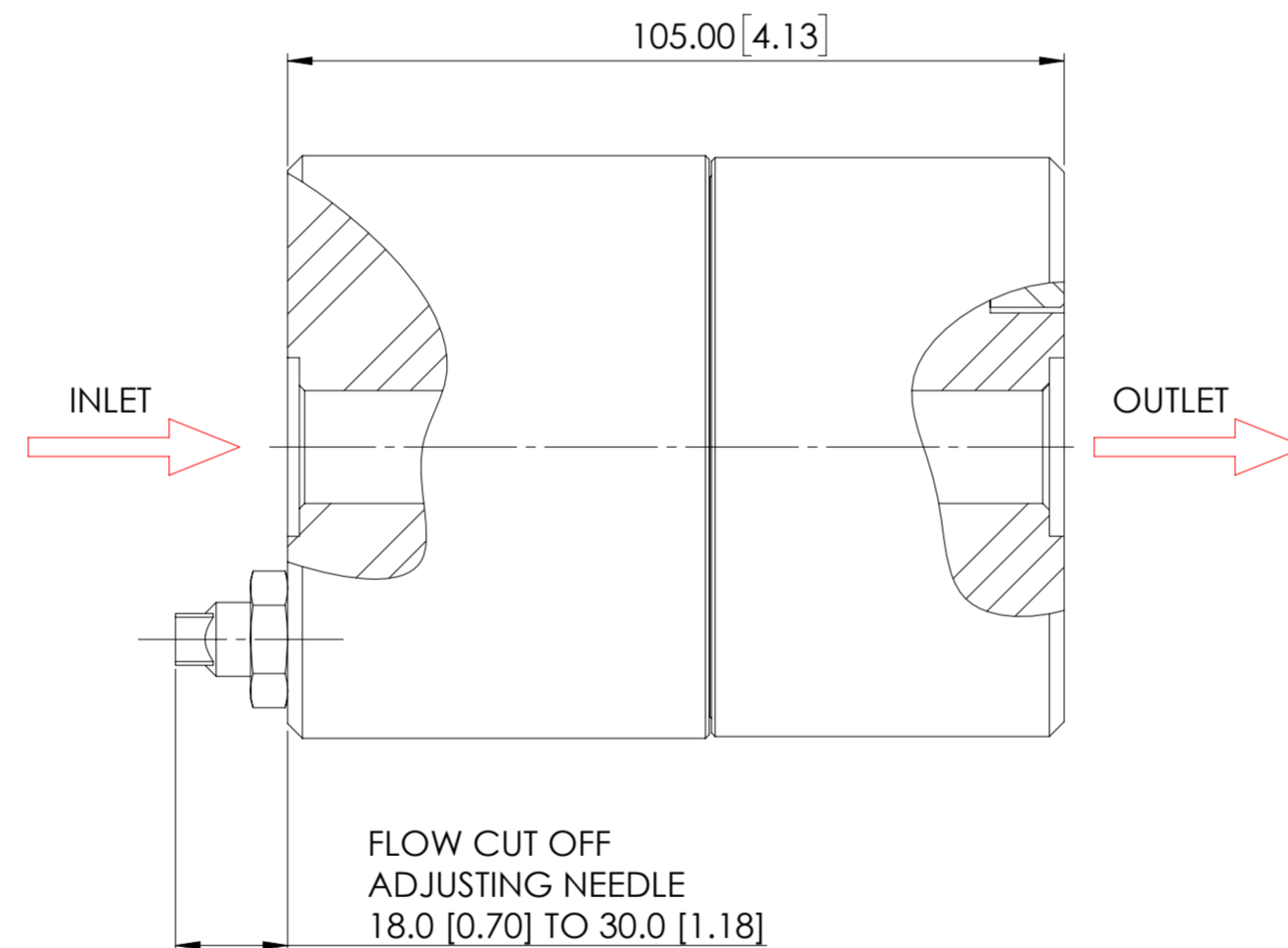
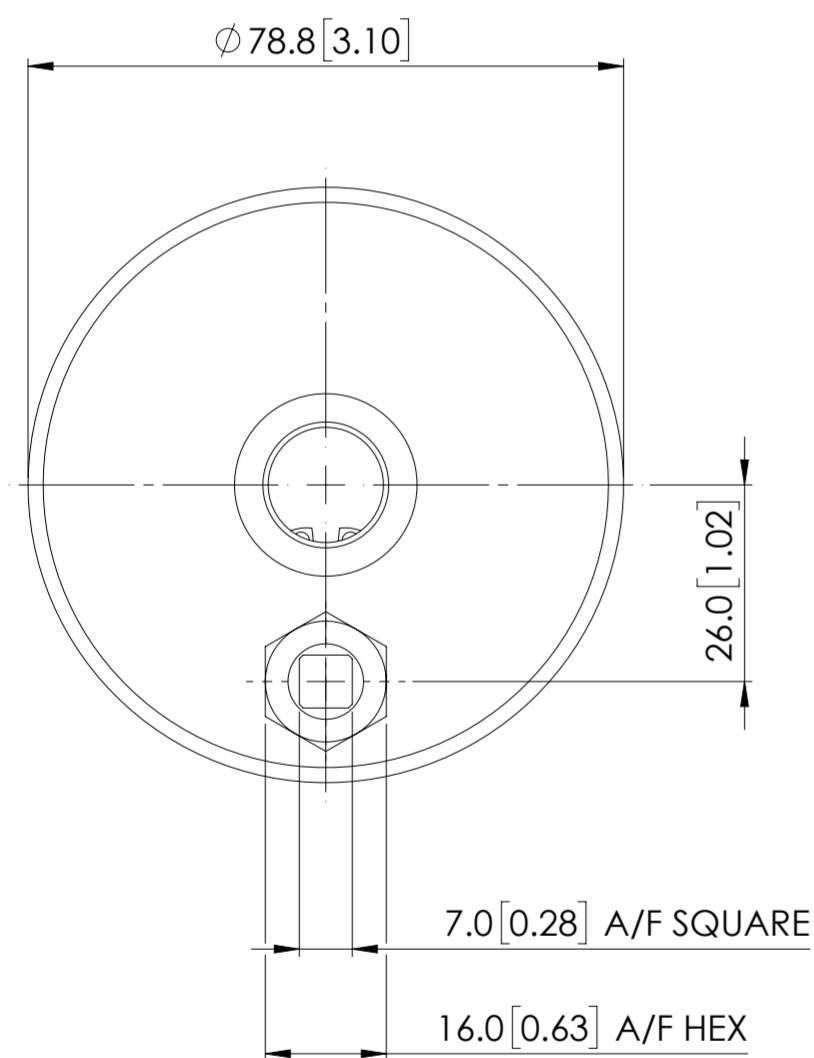
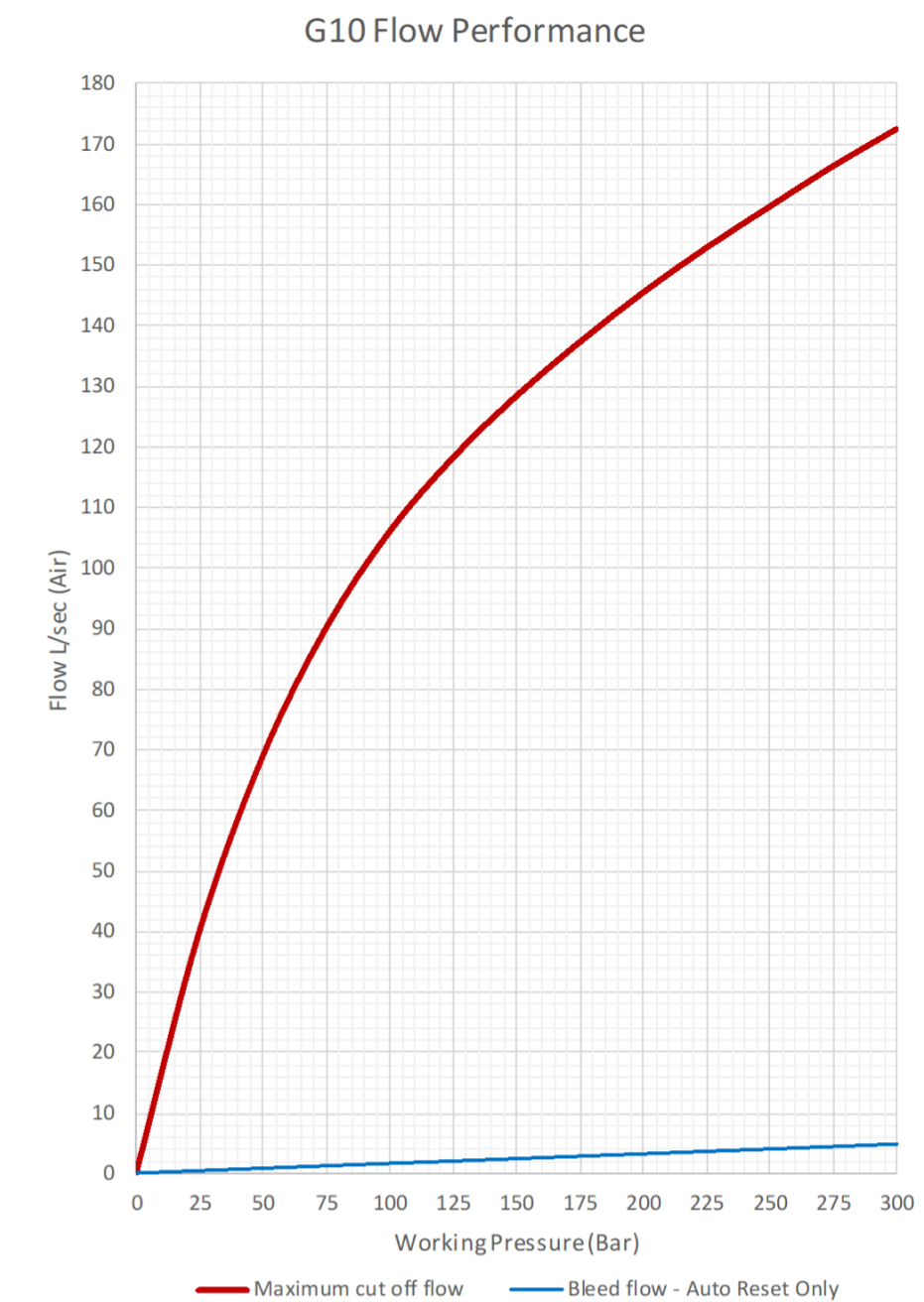
SEALS	
N	NITRILE
V	FKM
H	HNBR
E	EPDM
OTHER MATERIALS AVAILABLE ON REQUEST	

PORTING	
37P	3/8" BSPP
37N	3/8" NPT
OTHER OPTIONS AVAILABLE ON REQUEST	

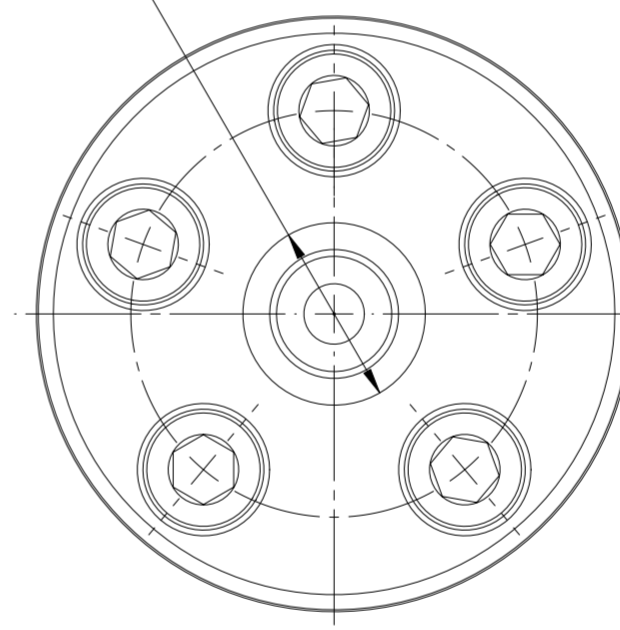
MATERIAL	
SS	STAINLESS STEEL

SPECIFICATION

- MAXIMUM WORKING PRESSURE: 500 Bar (7,250 Psi)
- FLOW AREA: 44.0mm²
- MANUAL AND AUTOMATIC RESET OPTIONS
- SHUT OFF AT APPROXIMATELY 1 BAR DIFFERENTIAL PRESSURE
- DRY WEIGHT: 1.1 kg (2.4 lb) (ALUMINIUM ALLOY)



C/BORE $\varnothing 24.13 [0.9]$
 2.0 [0.08] DEEP.
 ONLY APPLIES TO
 BSPP PORTED VALVES



© AND DESIGN RIGHT BIS Wells LTD. ALL RIGHTS RESERVED. WITHOUT THE PRIOR WRITTEN PERMISSION OF BIS Wells Ltd NO PART OF THIS DOCUMENT MAY BE ALTERED, ADAPTED, PUBLISHED, REPRODUCED OR TRANSMITTED IN ANY FORM OR MEDIUM.				UNLESS OTHERWISE SPECIFIED DIMENSIONS ARE IN INCHES 1. LINEAR TOLERANCES : $\pm 0.1"$ 2. ANGULAR TOLERANCES : $\pm 2^\circ$						
DRAWN	J.PHELAN	SHEET	1 OF 1	3RD ANGLE PROJECTION	DRAWING SIZE	A2	DRAWING SCALE	1:2	DRAWING NUMBER	DS0075
DATE	22/07/21	ISSUE	1							