

DATASHEET

NON RETURN VALVE (NRV): D12

MODEL CODE				
D12 -	1	A	50PM	N

MODEL TYPE	
D12	NON RETURN VALVE

MAXIMUM INLET PRESSURE	
1	4,500 Psi (310 Bar)
2	6,500 Psi (450 Bar)

EXTERNAL MATERIAL	
A	ALUMINIUM
AB	ALUMINIUM BRONZE
BR	BRASS
SS	STAINLESS STEEL

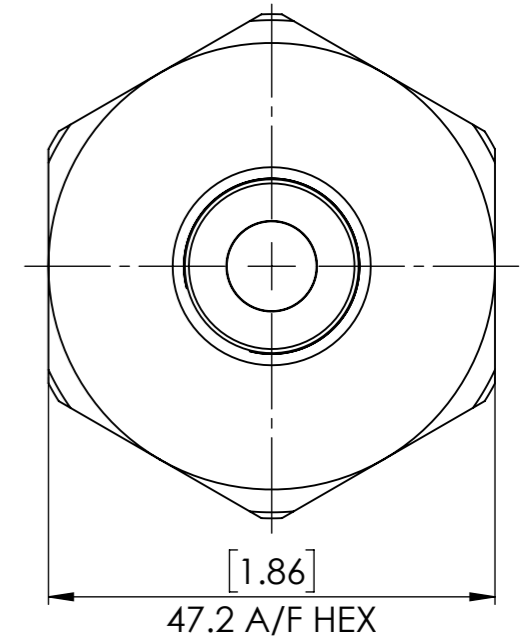
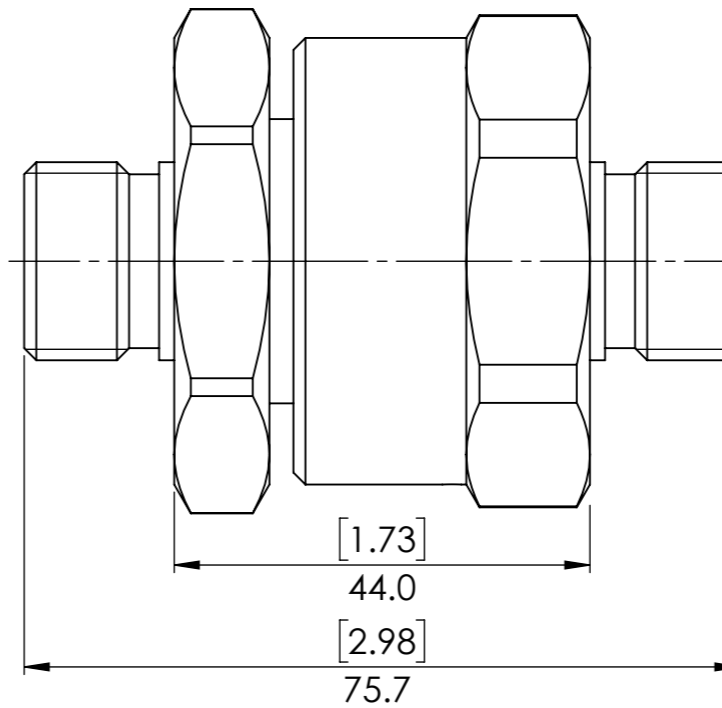
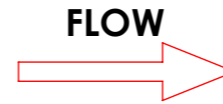
SEAL MATERIAL	
N	NITRILE
V	FKM

PORTS	
50PM	1/2" BSPP MALE CONNECTION
50PF	1/2" BSPP FEMALE CONNECTION

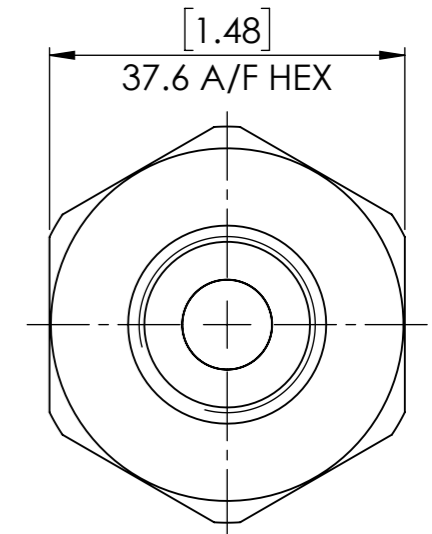
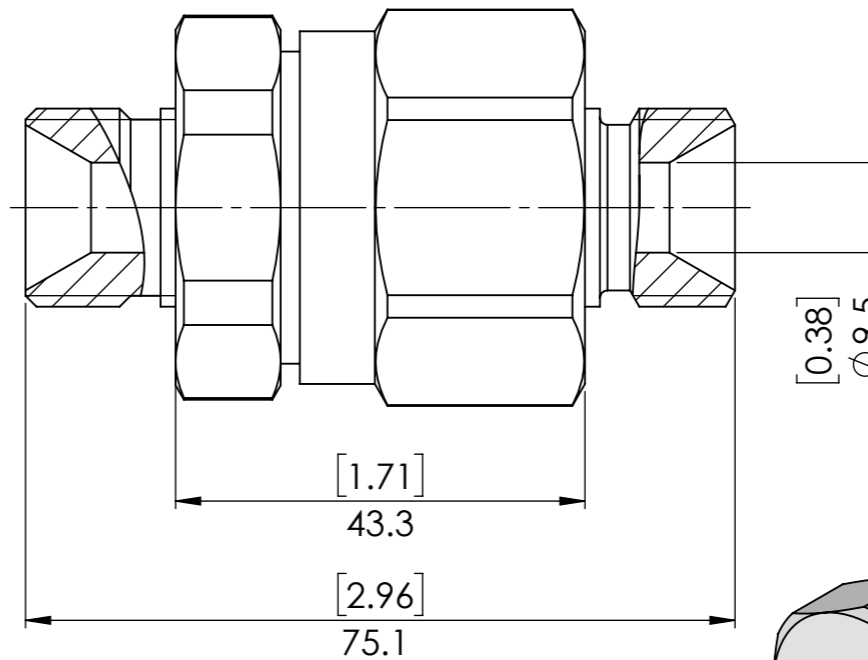
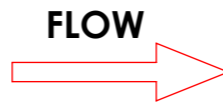
SPECIFICATION

- WEIGHT: 0.64kg (1.40lb) MALE - MALE (6,500 psi) STAINLESS STEEL
0.42kg (0.93lb) MALE - MALE (4,500 psi) STAINLESS STEEL
0.36kg (0.79lb) FEMALE - FEMALE STAINLESS STEEL
PLEASE CONTACT US FOR OTHER WEIGHTS
- ORIFICE DIAMETER: 9.6mm (0.38")
- OXYGEN AND HYDROGEN SPECIFIC VERSIONS AVAILABLE
- SUITABLE FOR BOTH GAS AND LIQUID
- OTHER PORT SIZES AND SEAL MATERIALS AVAILABLE

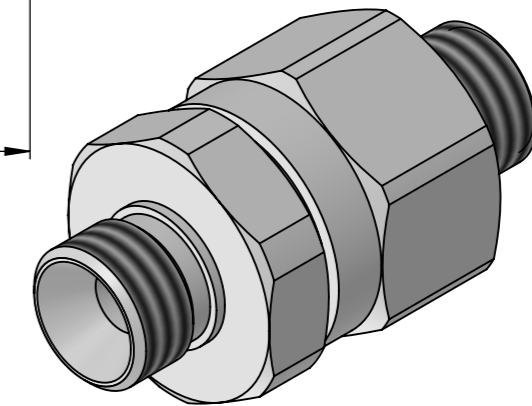
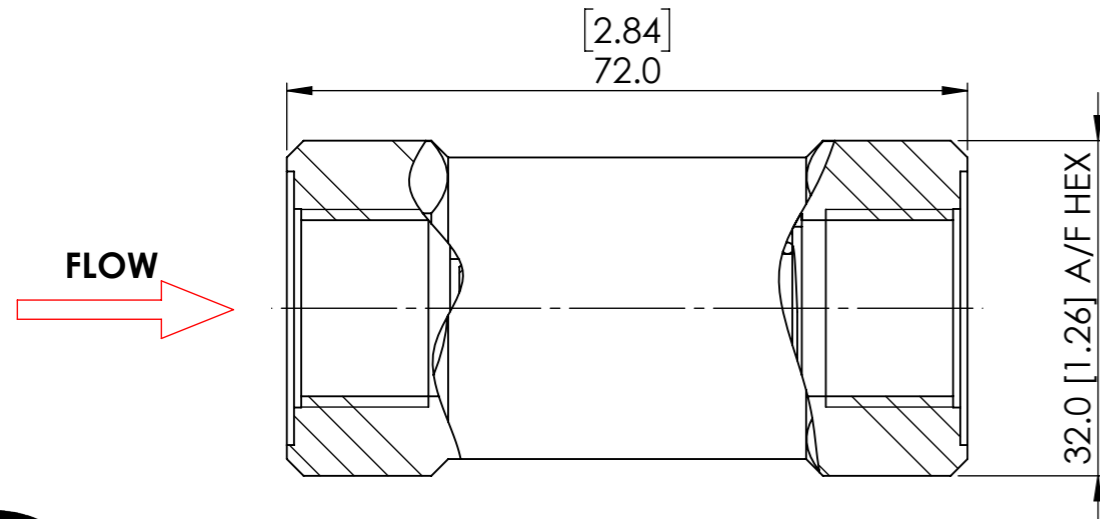
D12 NRV - 6,500 Psi (450 Bar)



D12 NRV - 4,500 Psi (310 Bar)



D12 WITH FEMALE TO FEMALE CONNECTION



© AND DESIGN RIGHT Bis Wells LTD. ALL RIGHTS RESERVED. WITHOUT THE PRIOR WRITTEN PERMISSION OF Bis Wells Ltd NO PART OF THIS DOCUMENT MAY BE ALTERED, ADAPTED, PUBLISHED, REPRODUCED OR TRANSMITTED IN ANY FORM OR MEDIUM.

UNLESS OTHERWISE SPECIFIED DIMENSIONS ARE IN MILLIMETRES. ALTERNATIVE DIMENSIONS IN SQUARE BRACKETS ARE IN INCHES.

DRAWN	SHEET	DRAWING SIZE	DRAWING SCALE	DRAWING NUMBER
J.PHELAN	1 OF 1	A3	1.25:1	DS0048
DATE	ISSUE	3RD ANGLE PROJECTION		
30/03/2020	2			