

DATASHEET

BALANCED DUAL LOADING DOME REGULATORS: A212 SERIES

MODEL CODE							
A212 -	1	1	SS	75P	N	PE	0

MODEL TYPE	
A212 -	STANDARD
A212H2 -	HYDROGEN SPECIFIC

MAXIMUM INLET PRESSURE	
1	414 Bar (6,000 psi)
2	500 Bar (7,250 psi)

OUTLET PRESSURE RANGE	
1	3 - 240 Bar (44 - 3,480 psi)
2*	5 - 380 Bar (73 - 5,510 psi)

MATERIAL	
SS	STAINLESS STEEL
OTHER MATERIALS AVAILABLE ON REQUEST	

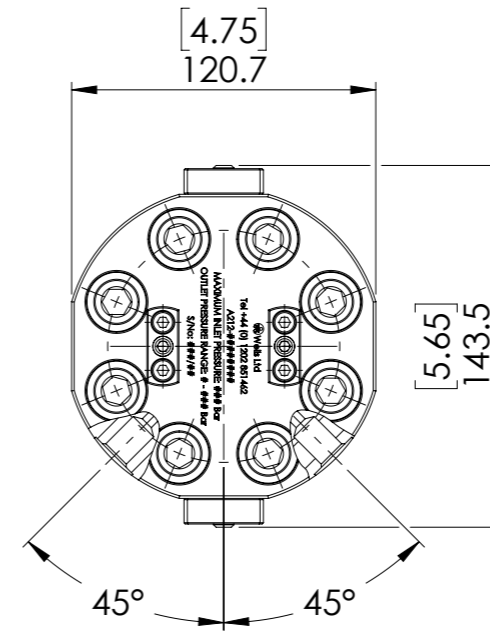
* OUTLET RANGE 2 IS ONLY AVAILABLE WITH INLET RANGE 2.

GAUGE PORTS	
0	NO PORT
GB	1/4" BSPP INLET & OUTLET

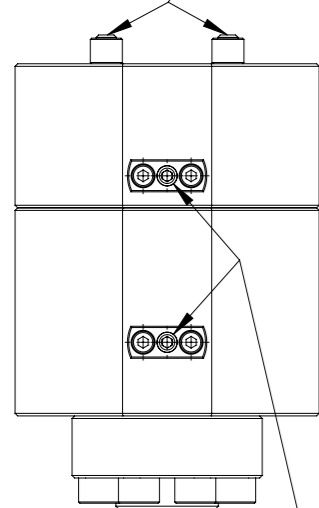
SEAT MATERIAL	
PE	PEEK

SEALS	
N	NITRILE
V	VITON
E	EPDM
OTHER MATERIALS AVAILABLE ON REQUEST	

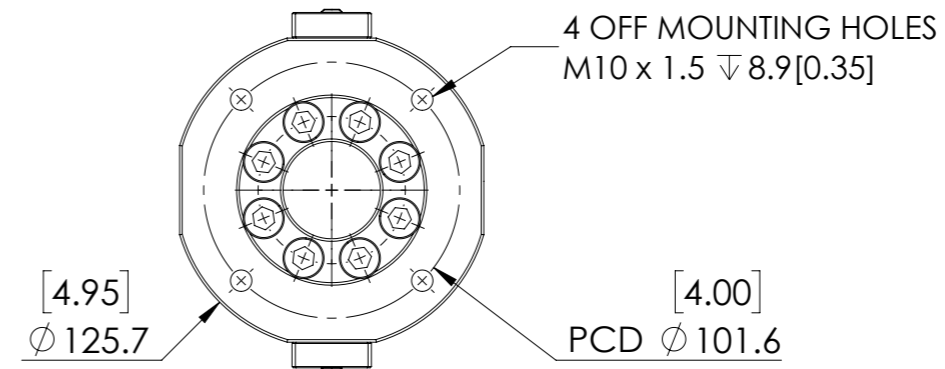
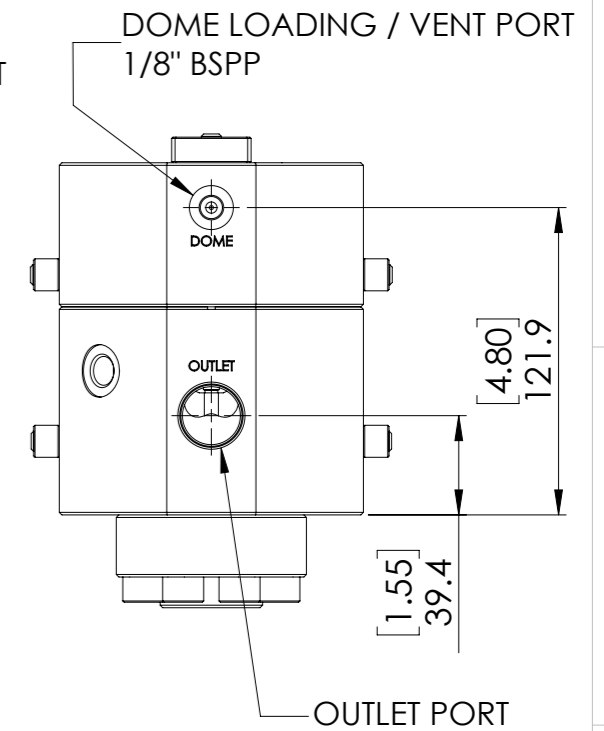
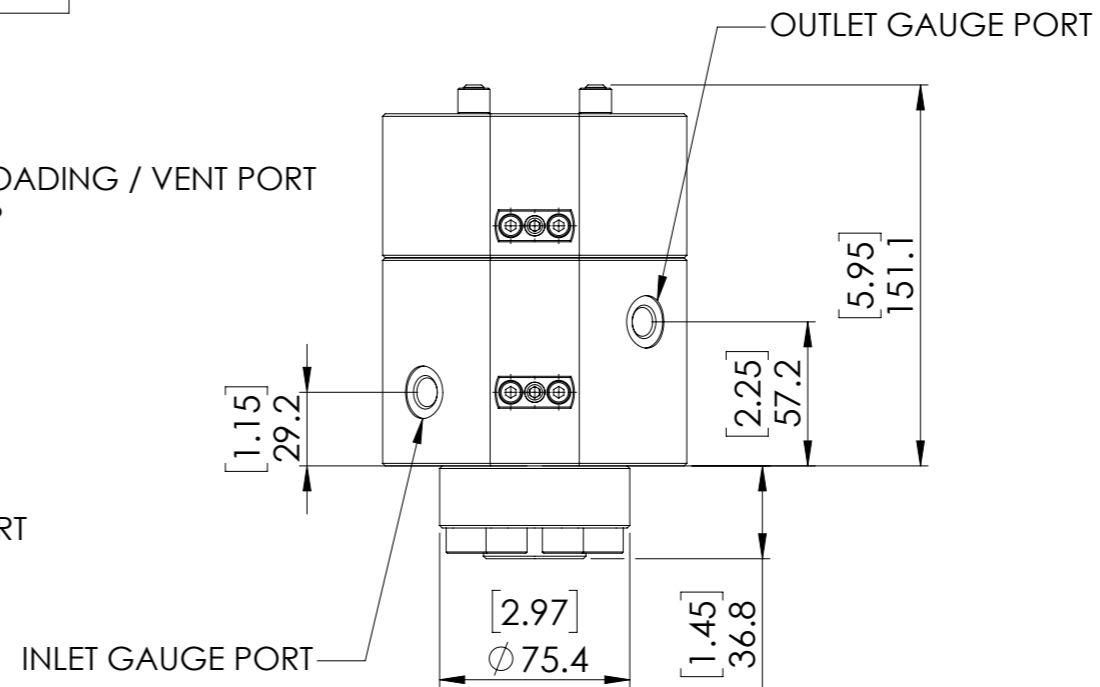
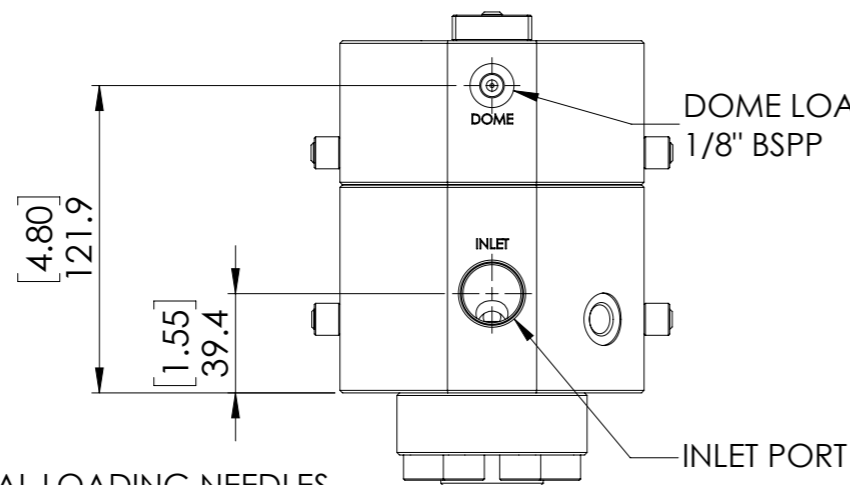
PORTING	
75P	3/4" BSPP
75N	3/4" NPT
100P	1" BSPP
100N	1" NPT



EXTERNAL LOADING NEEDLES



INTERNAL LOADING NEEDLES
TYP. BOTH SIDES



SPECIFICATION

BALANCED DESIGN (NEGLIGIBLE SUPPLY PRESSURE EFFECT)

CAPACITY VALUE: 1.9

MEDIUM: INTERNAL LOADING - GAS ONLY

EXTERNAL LOADING - GAS AND LIQUID

(IT IS RECOMMENDED THAT THE DOME BE LOADED WITH INERT GAS)

DRY WEIGHT: 12.9 kg (28.5 lbs)



© AND DESIGN RIGHT Bis Wells LTD. ALL RIGHTS RESERVED. WITHOUT THE PRIOR WRITTEN PERMISSION OF Bis Wells Ltd NO PART OF THIS DOCUMENT MAY BE ALTERED, ADAPTED, PUBLISHED, REPRODUCED OR TRANSMITTED IN ANY FORM OR MEDIUM.

UNLESS OTHERWISE SPECIFIED, DIMENSIONS ARE IN MILLIMETRES
ALTERNATIVE DIMENSIONS IN SQUARE BRACKETS ARE IN INCHES

DRAWN	SHEET	DRAWING SIZE	DRAWING SCALE	DRAWING NUMBER
J. KIM	1 OF 1	A3	1:3	DS0111
DATE	ISSUE	3RD ANGLE PROJECTION		
13/12/23	1			

J. KIM