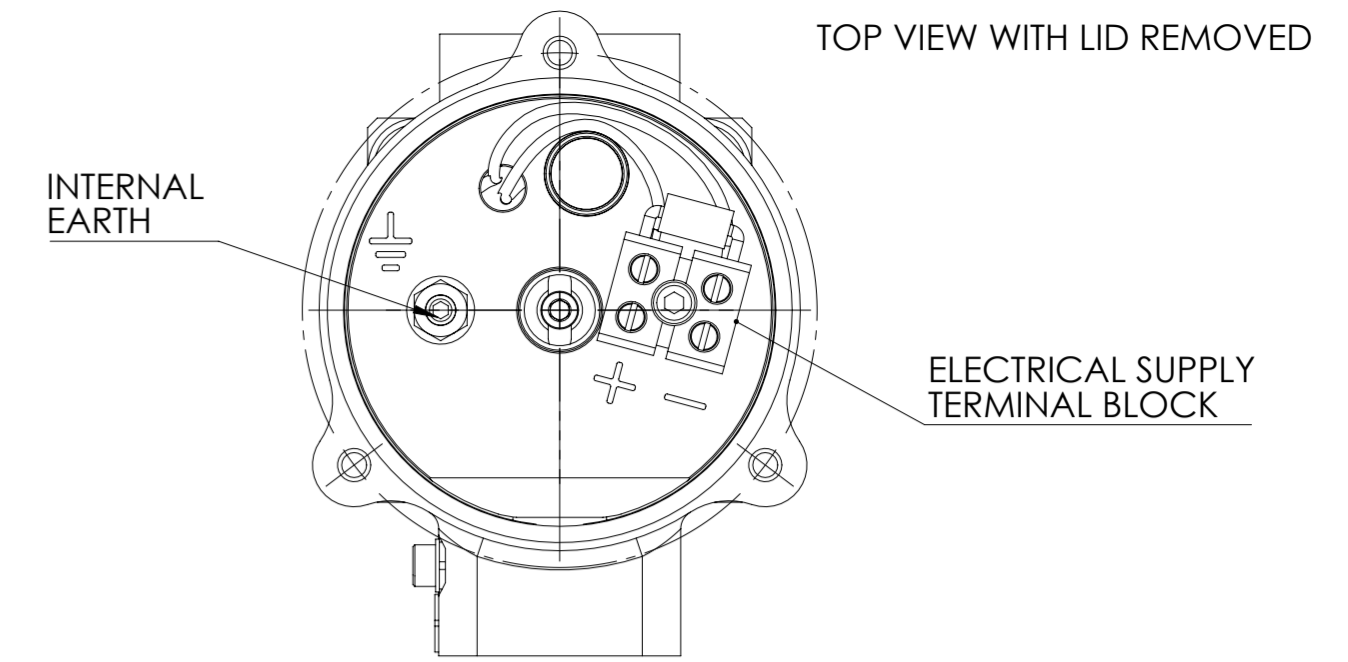


# DATASHEET

## SOLENOID VALVES: E40 & E41

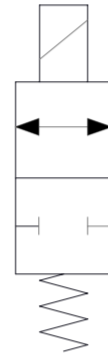
Model Code Structure - Standard Model Code in Red

Valve Model	Solenoid Model	Conduit	Voltage	Reset	Pressure	Port Type	Seal Material	Wetted Materials
<b>E40-</b> E40 Valve, 2 Port, Normally Closed	<b>SD</b> Ex db Solenoid	<b>1</b> M20 x 1.5	<b>A</b> 12 Vdc <b>B</b> 24 Vdc	<b>A</b> Automatic <b>O</b> Over ride	<b>44</b> 4,400 Psi	<b>25P</b> 1/4" BSP <b>25N</b> 1/4" NPT	<b>N</b> Nitrile -15° C TO +80° C <b>V</b> Viton -10° C TO +80° C	<b>SS/SS</b> Stainless / Stainless
<b>E41-</b> E41 Valve, 2 Port, Normally Open	<b>SM</b> Ex mb Solenoid	<b>2</b> 1/2" NPT	<b>C</b> 48 Vdc <b>D</b> 115 Vdc <b>E</b> 24 Vac <b>F</b> 48 Vac <b>G</b> 115 Vac <b>H</b> 230 Vac	<b>M</b> Manual Reset		<b>37P</b> 3/8" BSP <b>37N</b> 3/8" NPT <b>50P</b> 1/2" BSP <b>50N</b> 1/2" NPT	<b>S</b> Silicone -45° C TO +80° C <b>UH</b> Low Temperature HNBR -15° C TO +80° C <b>E</b> EPDM -35° C TO +80° C	

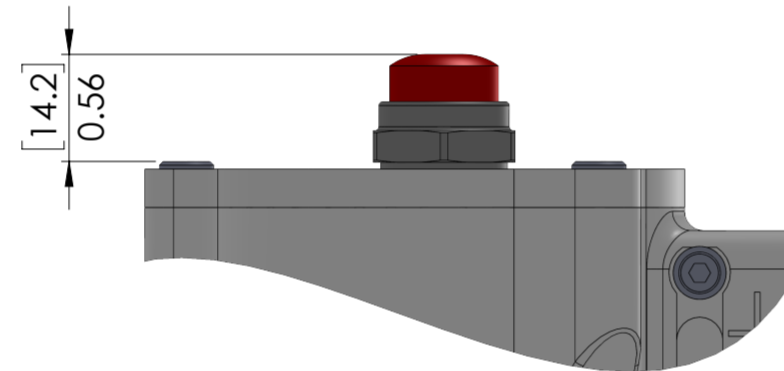


AMBIENT TEMPERATURE LIMITS			
Ex db IIC T4 Gb & T6 Gb and Ex fb IIC T4 Db & T6 Db			
SOLENOID SEAL MATERIAL	MIN Tamb (°C)	MAX Tamb (°C) (T4 135°C)	MAX Tamb (°C) (T6 85°C)
SILICONE	-60	80	30
Ex mb IIC T4 Gb and Ex mb IIC T4 Db			
SOLENOID SEAL MATERIAL	MINIMUM Tamb (°C)	MAXIMUM Tamb (°C) (T4 135°C)	
SILICONE	-40	55	

VALVE SYMBOL



DETAIL OF MANUAL RESET AND OVER RIDE PUSH BUTTON ARRANGEMENT.

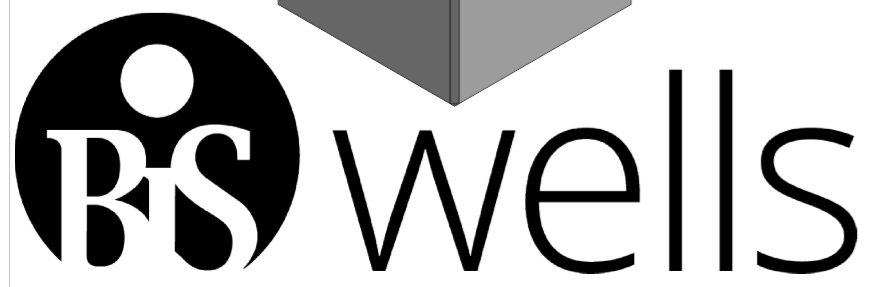
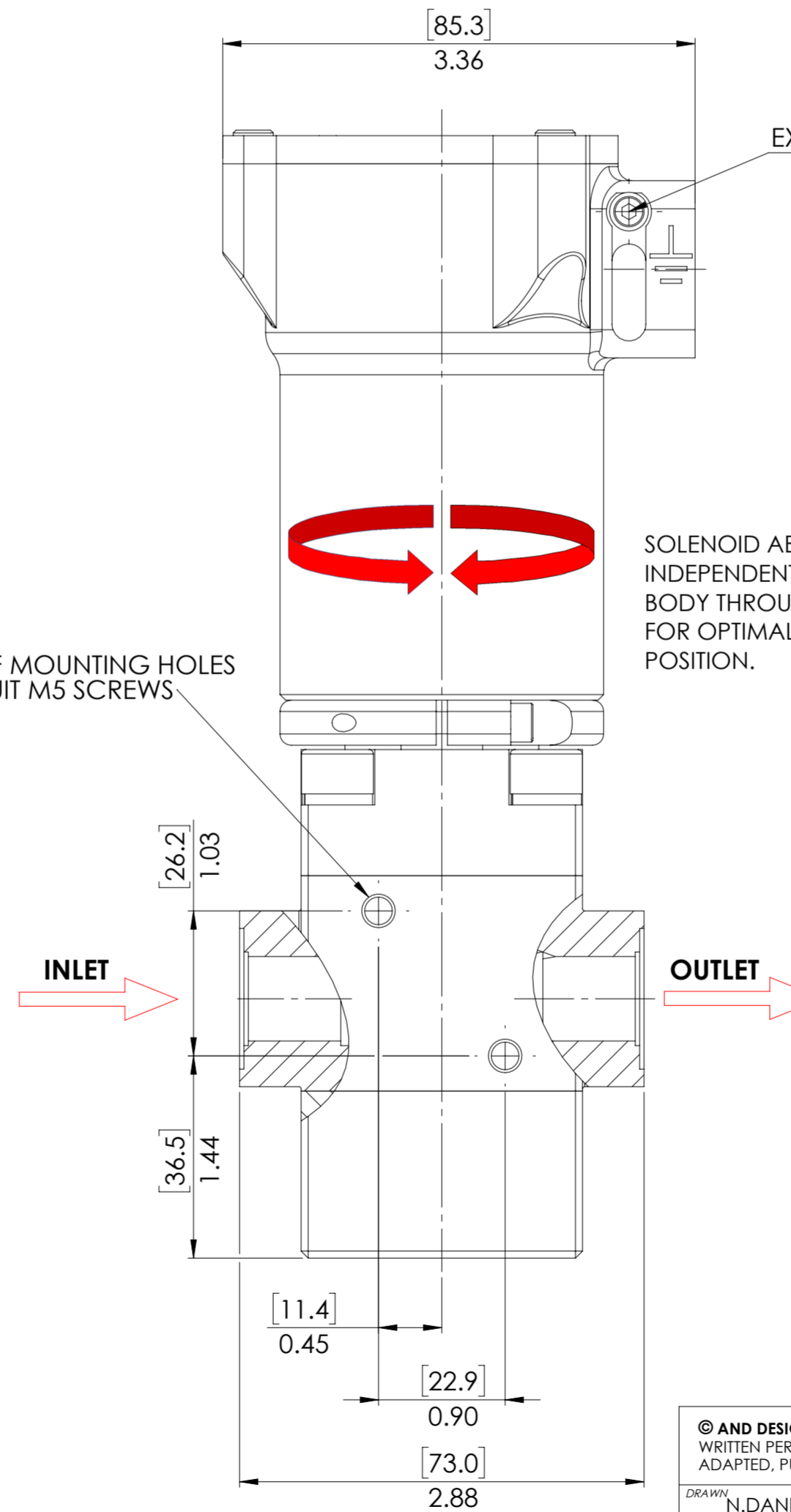
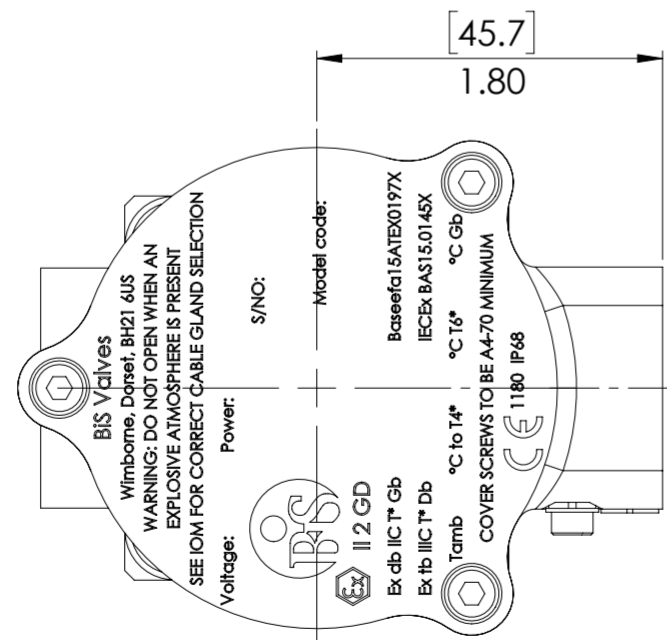
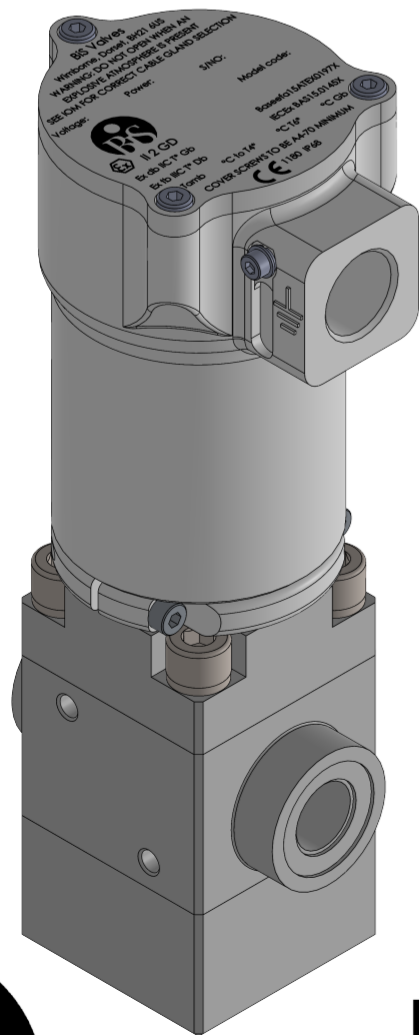


### SPECIFICATION:

POWER RATING: 12 WATTS  
 Cv: 0.35  
 WEIGHT: 3.9 Kg  
 IP RATING: IP68  
 SUITABLE FOR BOTH GASES AND LIQUIDS  
 SURGE SUPPRESSION DIODE FITTED AS STANDARD

PRESSURE BALANCED DESIGN.  
 PRESSURE CAN BE APPLIED TO EITHER PORT.

NORMALLY CLOSED VERSION SHOWN.



© AND DESIGN RIGHT BIS Wells LTD. ALL RIGHTS RESERVED. WITHOUT THE PRIOR WRITTEN PERMISSION OF BIS Wells Ltd NO PART OF THIS DOCUMENT MAY BE ALTERED, ADAPTED, PUBLISHED, REPRODUCED OR TRANSMITTED IN ANY FORM OR MEDIUM.				UNLESS OTHERWISE SPECIFIED DIMENSIONS ARE IN INCHES 1. LINEAR TOLERANCES : ±0.1" 2. ANGULAR TOLERANCES : ±2°	
DRAWN	N.DANIEL	SHEET	1 OF 1	DRAWING SIZE	A2
DATE	30/03/20	ISSUE	2	DRAWING SCALE	1:1
3RD ANGLE PROJECTION				DRAWING NUMBER	
				DS0053	