

DATASHEET

NON RETURN VALVE (NRV): D13 (3/4" NPT VERSION)

MODEL CODE				
D13 -	2	A	75NF	N

MODEL TYPE	
D13 -	NON RETURN VALVE

MAXIMUM INLET PRESSURE	
2	6,000 Psi (414 Bar)

MATERIAL	
A	ALUMINIUM
AB	ALUMINIUM BRONZE
BR	BRASS
SS	STAINLESS STEEL

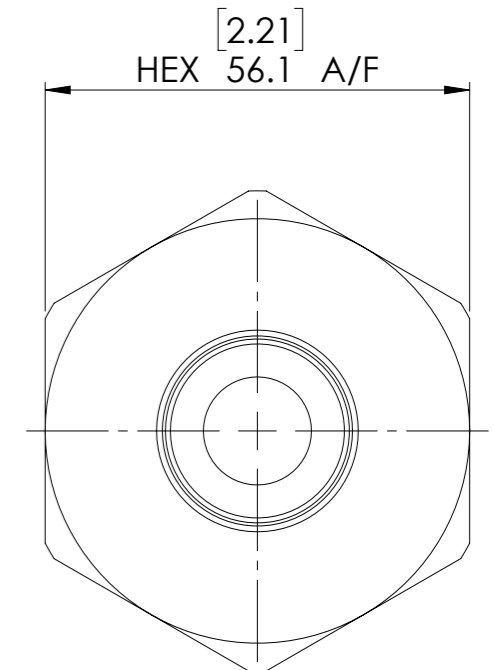
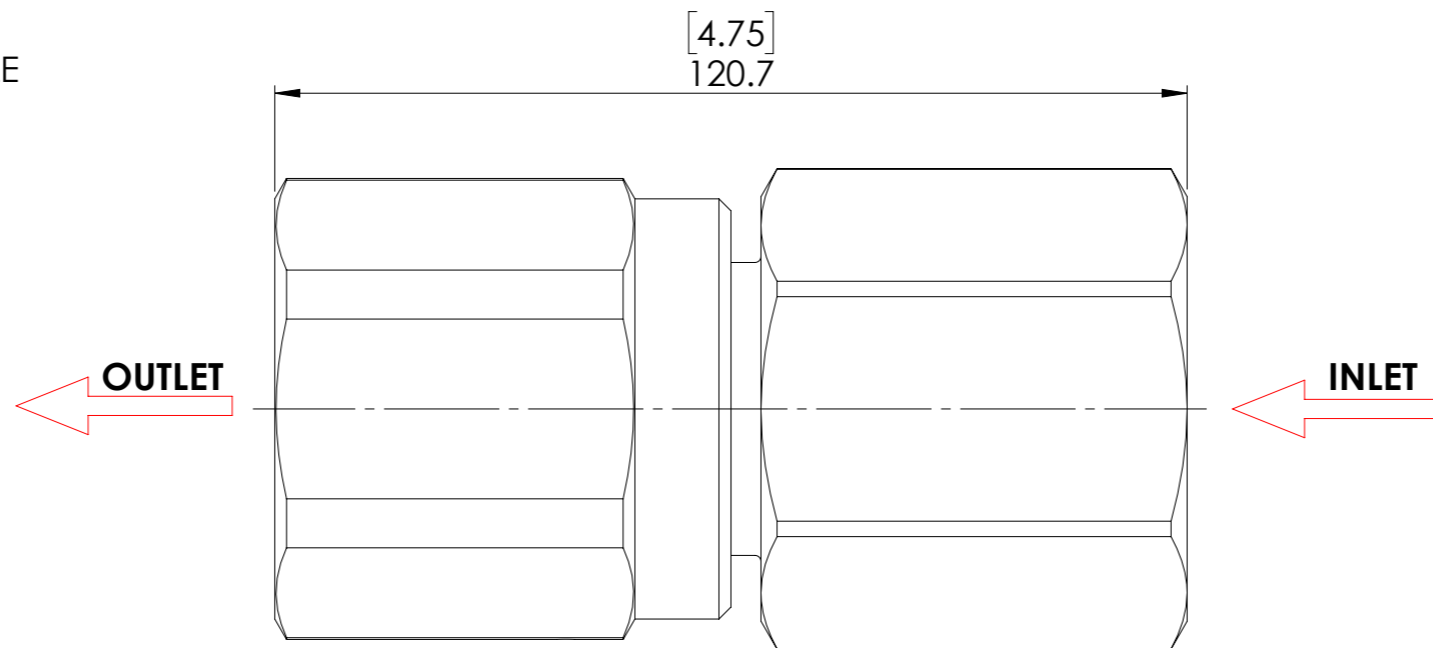
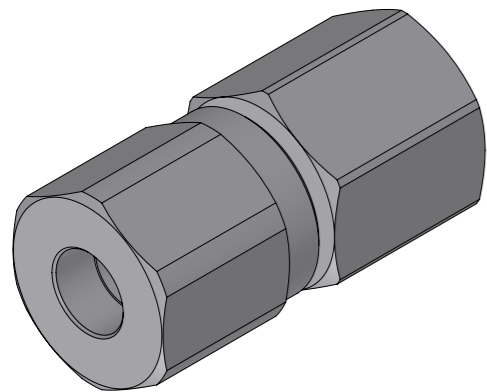
SEAL MATERIAL	
N	NITRILE
V	VITON

PORTS	
75NF	3/4" NPT FEMALE CONNECTION

SPECIFICATION

- WEIGHT: 0.8 kg (1.8 lb) ALUMINIUM ALLOY
- ORIFICE DIAMETER: 14.3mm (0.56")
- OXYGEN SERVICE VERSION AVAILABLE
- SUITABLE FOR BOTH GAS AND LIQUID

**FOR OXYGEN SERVICE
SPECIFY: D13OX**



© AND DESIGN RIGHT Bis Wells LTD. ALL RIGHTS RESERVED. WITHOUT THE PRIOR WRITTEN PERMISSION OF Bis Wells Ltd NO PART OF THIS DOCUMENT MAY BE ALTERED, ADAPTED, PUBLISHED, REPRODUCED OR TRANSMITTED IN ANY FORM OR MEDIUM.

UNLESS OTHERWISE SPECIFIED, DIMENSIONS ARE IN MILLIMETRES
ALTERNATIVE DIMENSIONS IN SQUARE BRACKETS ARE IN INCHES

DRAWN J. KIM	SHEET 1 OF 1
DATE 07/05/24	ISSUE 1



DRAWING SIZE A3	DRAWING SCALE 1:1
--------------------	----------------------

DRAWING NUMBER DS0114

J. KIM