

DATASHEET

INLINE FILTER: F12

MODEL CODE					
F12 -	1	10M	A	37P	N

MODEL TYPE	
F12	INLINE FILTER

MAXIMUM WORKING PRESSURE	
1	276 bar (4,000 psi)
2	414 bar (6,000 psi)

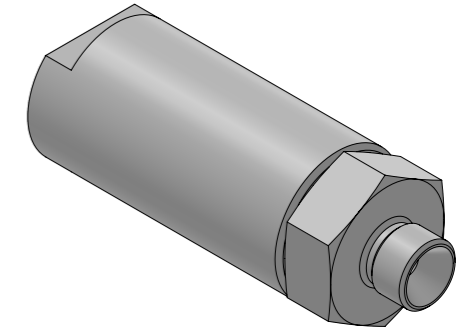
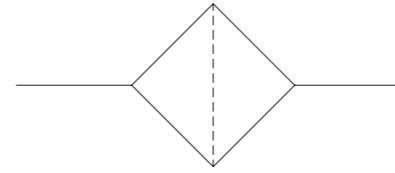
FILTRATION	
5M	5 MICRON
10M	10 MICRON
25M	25 MICRON
37M	37 MICRON
100M	100 MICRON

SEAL MATERIAL	
N	NITRILE
V	VITON
OTHER MATERIALS AVAILABLE ON REQUEST	

CONNECTIONS	
37P	3/8" BSPP
37N	3/8" NPT
50P	1/2" BSPP
50N	1/2" NPT

MATERIAL	
A	ALUMINIUM ALLOY
AB	ALUMINIUM BRONZE
BR	BRASS
SS	STAINLESS STEEL

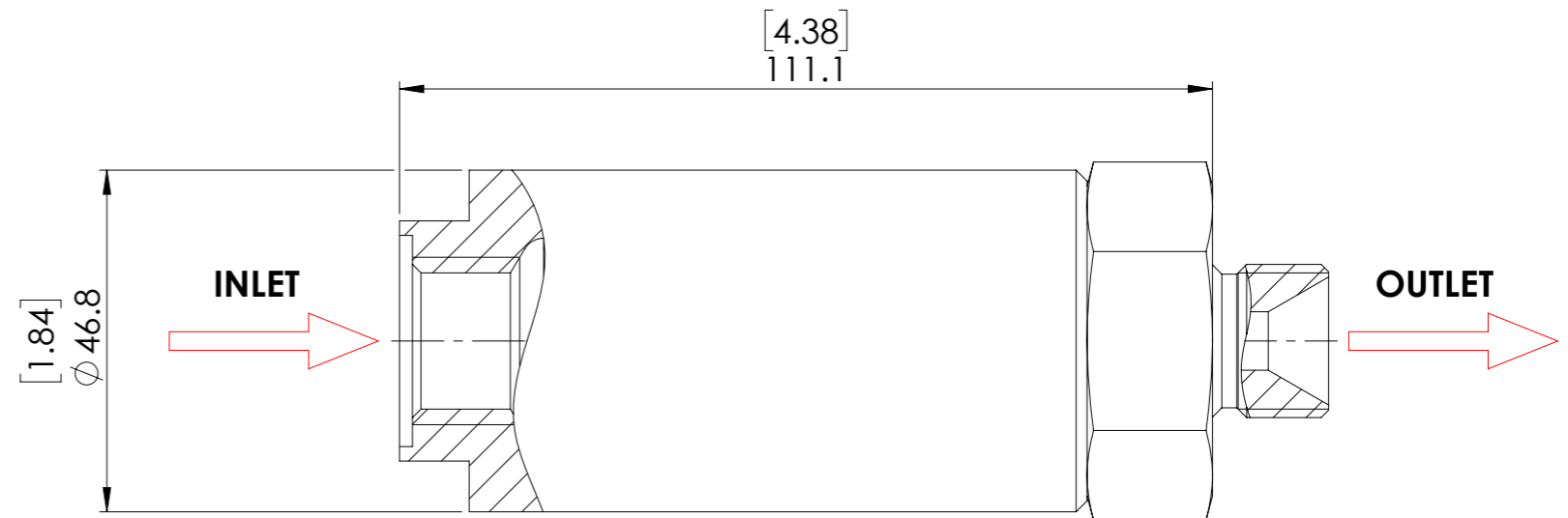
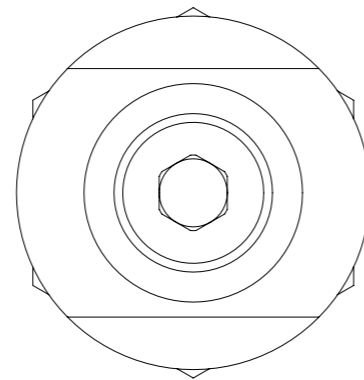
FILTER SYMBOL



SPECIFICATION

- MEDIUM: GAS AND LIQUIDS
- DRY WEIGHT: 1.3 kg (2.9 lbs) [STAINLESS STEEL 1/2" BSPP VERSION]
- FEMALE INLET - MALE OUTLET AS STANDARD.
- OTHER SEAL MATERIALS AVAILABLE ON REQUEST.
- FILTRATION MICRON RATINGS ARE NOMINAL.
- OTHER FILTRATION SIZES ARE AVAILABLE.
- FLOW CAPACITY IS DEPENDENT ON MANY FACTORS INCLUDING FILTRATION RATING, WORKING MEDIA, DUTY CYCLE, CLEANLINESS OF FLUID BEING FILTERED, AND REQUIRED MAINTENANCE INTERVALS.

PLEASE CONTACT US WITH YOUR APPLICATION DETAILS TO OBTAIN A PRODUCT SIZING RECOMMENDATION.



© AND DESIGN RIGHT Bis Wells LTD. ALL RIGHTS RESERVED. WITHOUT THE PRIOR WRITTEN PERMISSION OF Bis Wells Ltd NO PART OF THIS DOCUMENT MAY BE ALTERED, ADAPTED, PUBLISHED, REPRODUCED OR TRANSMITTED IN ANY FORM OR MEDIUM.

UNLESS OTHERWISE SPECIFIED, DIMENSIONS ARE IN MILLIMETRES
ALTERNATIVE DIMENSIONS IN SQUARE BRACKETS ARE IN INCHES

DRAWN N.DANIEL	SHEET 1 OF 1	 3RD ANGLE PROJECTION	DRAWING SIZE A3	DRAWING SCALE 1:1	DRAWING NUMBER DS0034
DATE 10/02/20	ISSUE 2				