

DATASHEET

SOLENOID VALVES: E28 AND E29

Model Code Structure - Standard Model Code in Red

Valve Model	Solenoid Model	Conduit	Voltage	Reset	Pressure	Port Type	Seal Material	Wetted Materials
E28- 3 Ported NC	SD Ex db Solenoid	1 M20 x 1.5	A 12 Vdc	A Automatic	60 6,000 Psi	25P 1/4" BSP	N Nitrile	SS/AL Stainless / Aluminium
E29- 3 Ported NO	SM Ex mb Solenoid	2 1/2" NPT	B 24 Vdc	O Override		25N 1/4" NPT	V Viton	SS/SS Stainless / Stainless
			C 48 Vdc	M Manual Reset		56AE 3/8" OD Medium Pressure (9/16" x 18 UNF)	S Silicone	SS/BR Stainless / Brass
			D 115 Vdc				UH Low Temp HNBR	
			E 24 Vac					
			F 48 Vac					
			G 115 Vac					
			H 230 Vac					

AMBIENT TEMPERATURE LIMITS

Ex db IIC T4 Gb & T6 Gb and Ex tb IIIC T4 Db & T6 Db

SOLENOID SEAL MATERIAL	MIN Tamb (°C)	MAX Tamb (°C) (T4 135°C)	MAX Tamb (°C) (T6 85°C)
SILICONE	-60	85	40

Ex mb IIC T4 Gb and Ex mb IIIC T4 Db

SOLENOID SEAL MATERIAL	MINIMUM Tamb (°C)	MAXIMUM Tamb (°C) (T4 135°C)
SILICONE	-40	60

SPECIFICATION:

POWER RATING: 8 WATTS

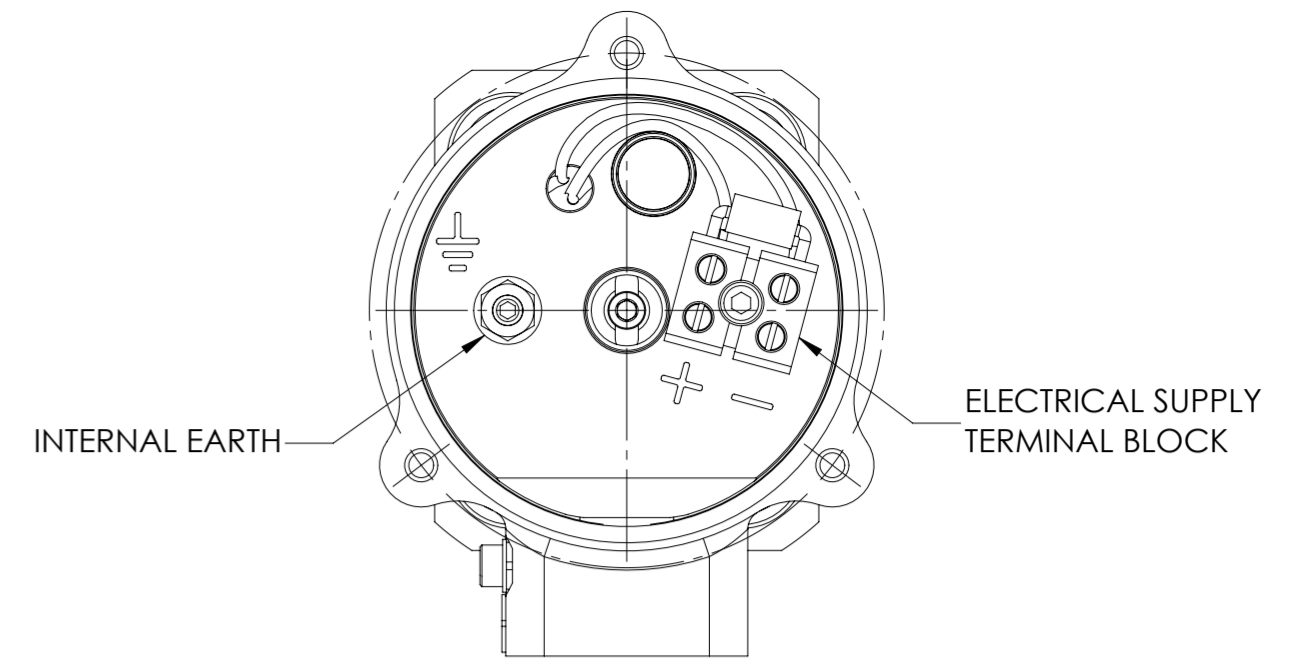
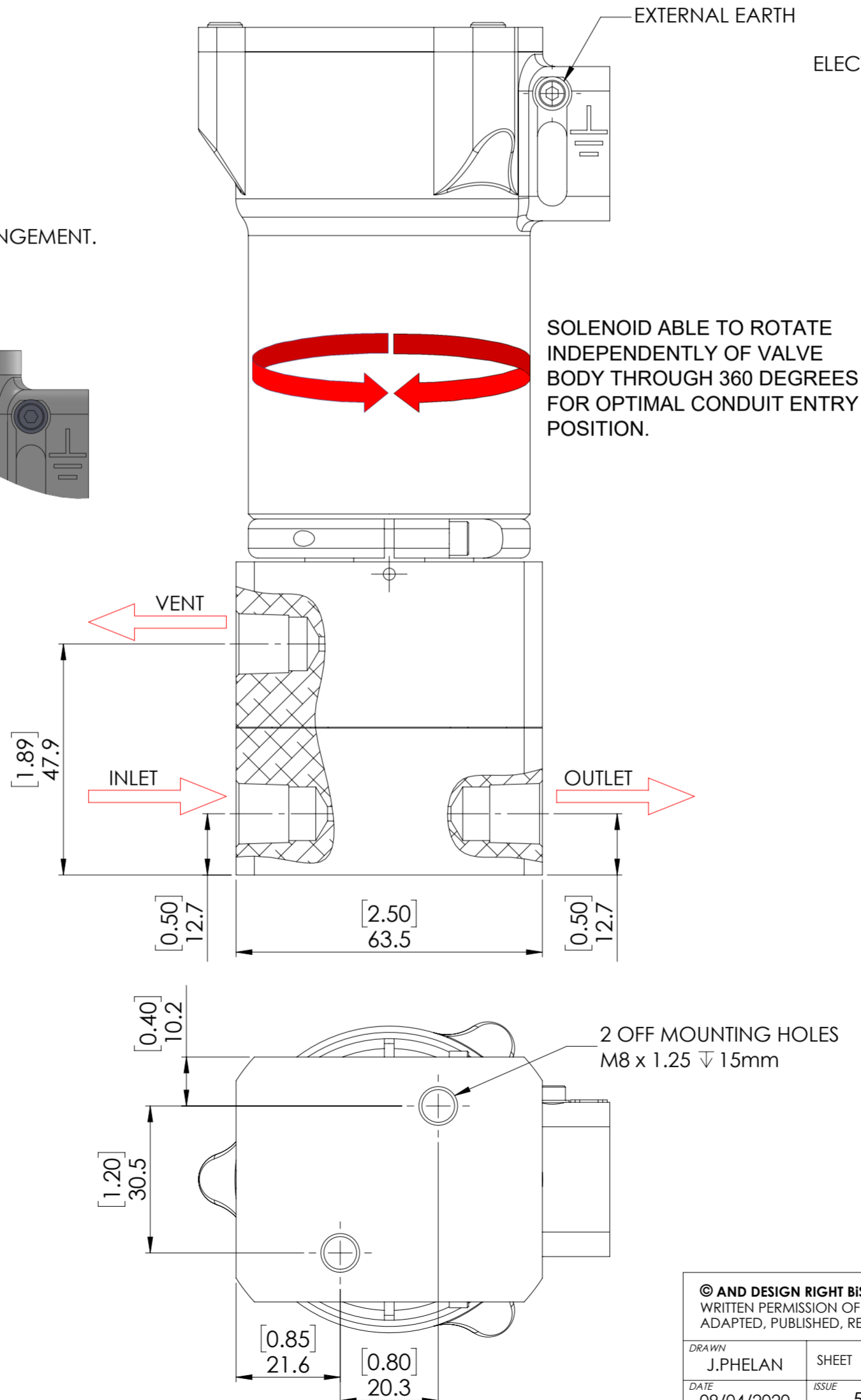
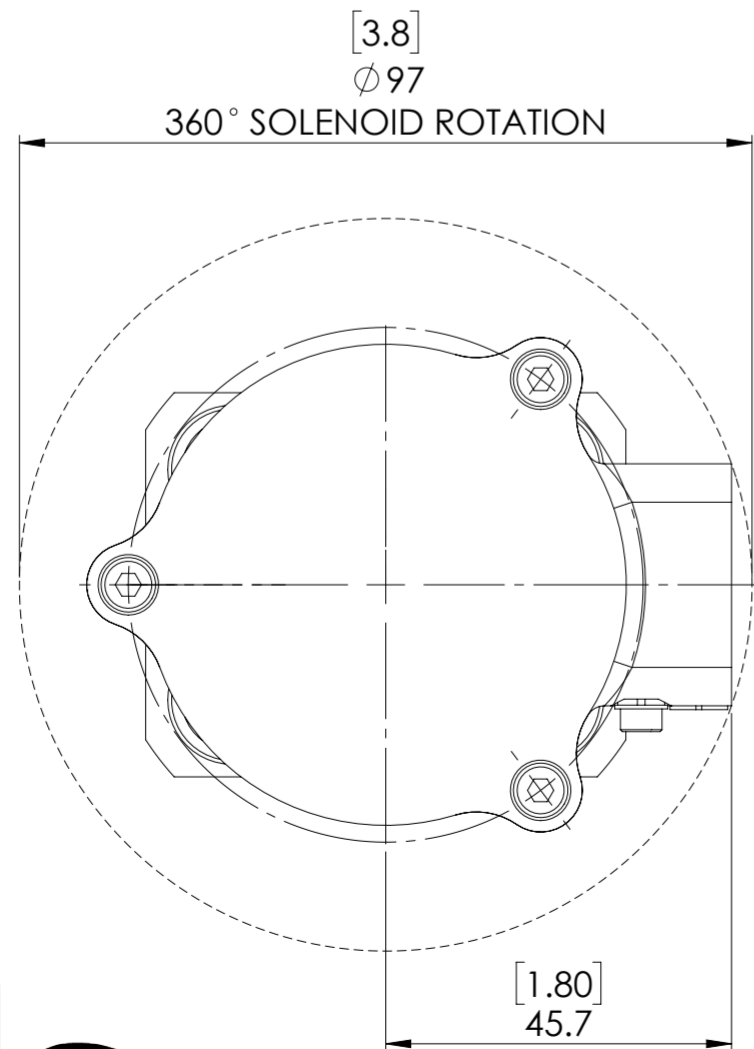
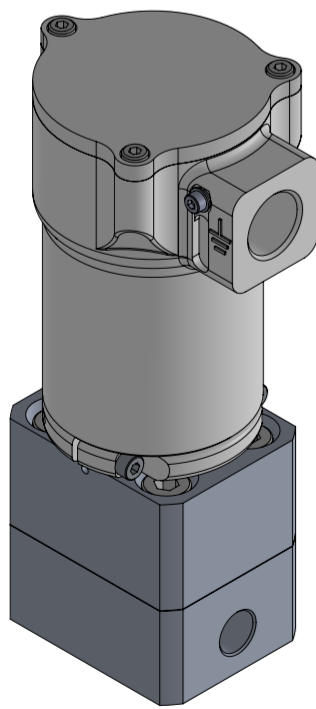
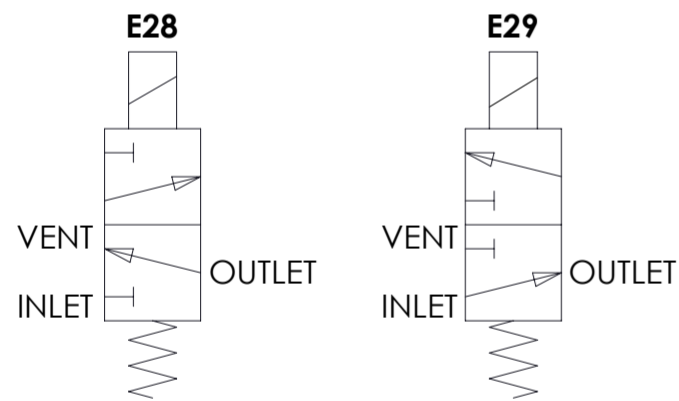
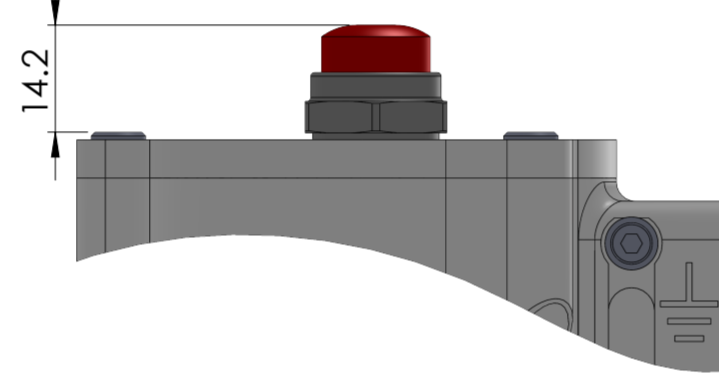
Cv: 0.06

WEIGHT: 2.7 Kg (ALUMINIUM BODY VERSION)

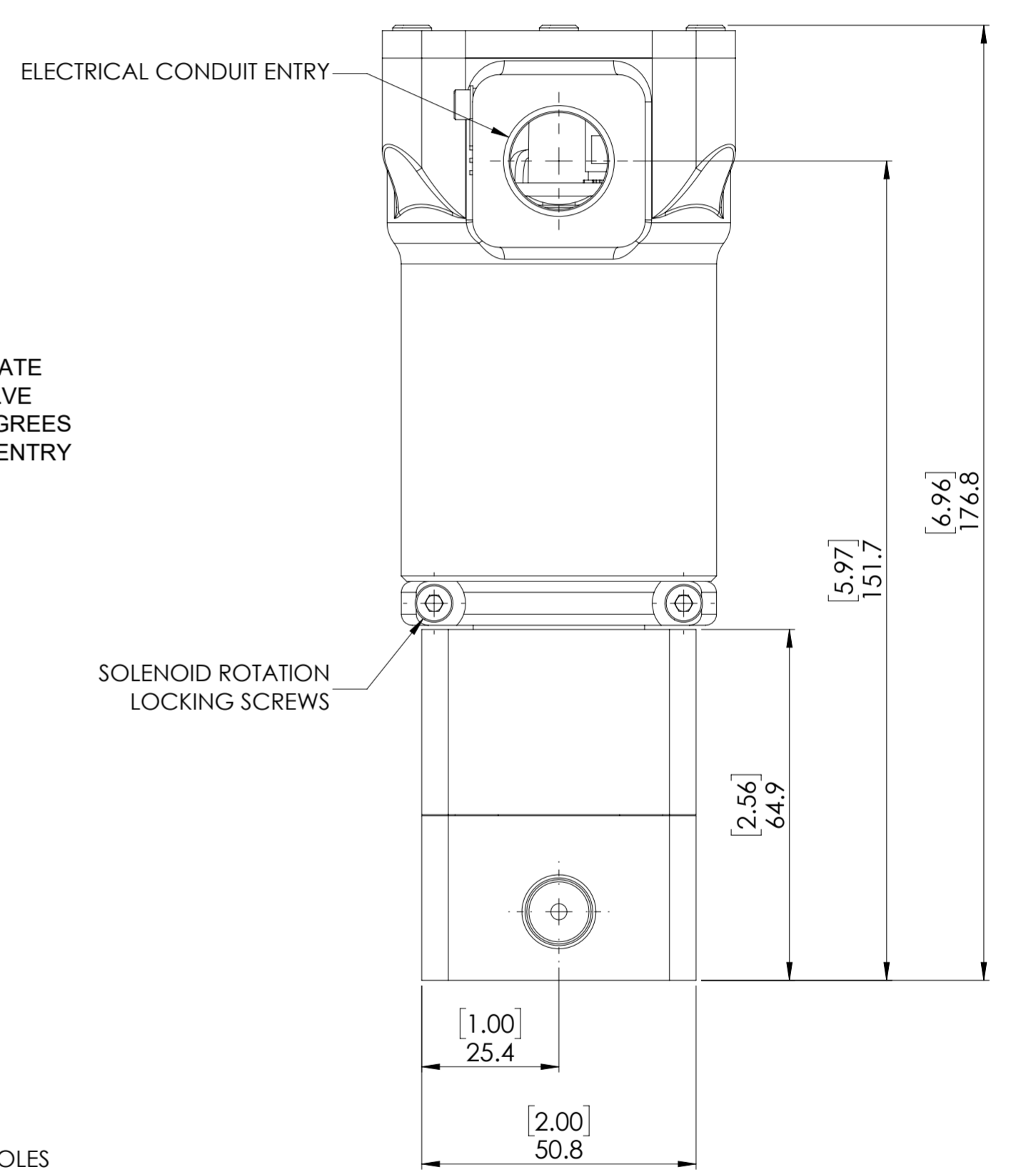
IP RATING: IP68

SURGE SUPPRESSION DIODE FITTED AS STANDARD

DETAIL OF MANUAL RESET AND OVER-RIDE PUSH BUTTON ARRANGEMENT.



VIEW WITH LID REMOVED



© AND DESIGN RIGHT Bis Wells LTD. ALL RIGHTS RESERVED. WITHOUT THE PRIOR WRITTEN PERMISSION OF Bis Wells Ltd NO PART OF THIS DOCUMENT MAY BE ALTERED, ADAPTED, PUBLISHED, REPRODUCED OR TRANSMITTED IN ANY FORM OR MEDIUM.				UNLESS OTHERWISE SPECIFIED, DIMENSIONS ARE IN MILLIMETRES ALTERNATIVE DIMENSIONS IN SQUARE BRACKETS ARE IN INCHES			
DRAWN J.PHELAN	SHEET 1 OF 1	3RD ANGLE PROJECTION	DRAWING SIZE A2	DRAWING SCALE 1:1	DRAWING NUMBER DS0046		
DATE 09/04/2020	ISSUE 5						