

DATASHEET

BACK PRESSURE MAINTAINING VALVE (BPMV): H100 AND H101

MODEL CODE					
H100 -	1	1	AA	50P	N

MODEL TYPE	
H100 -	DOME LOADED INTERNALLY
H101 -	DOME LOADED EXTERNALLY

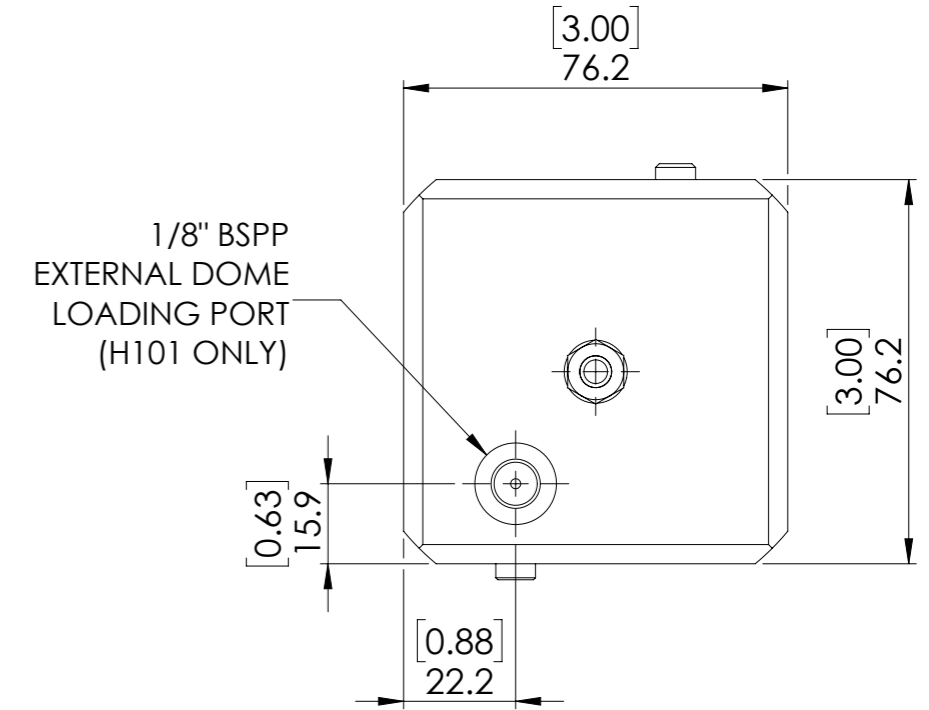
MAXIMUM INLET PRESSURE	
1	70 bar (1,000 psi)

SET PRESSURE RANGE	
1	0.05 - 70 bar (0.75 - 1,000 psi)

SEALS	
N	NITRILE
V	VITON
OTHER MATERIALS AVAILABLE ON REQUEST	

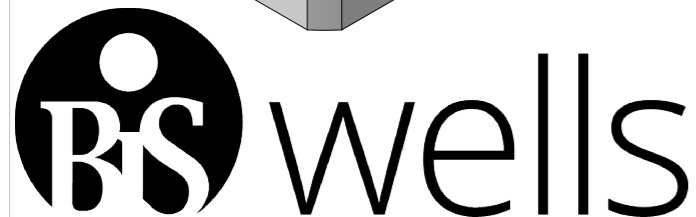
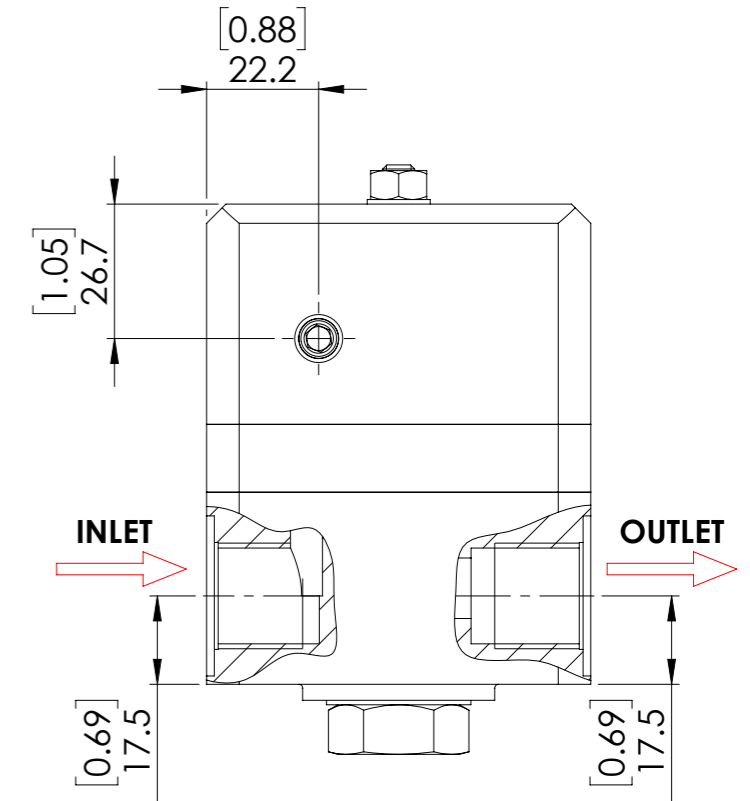
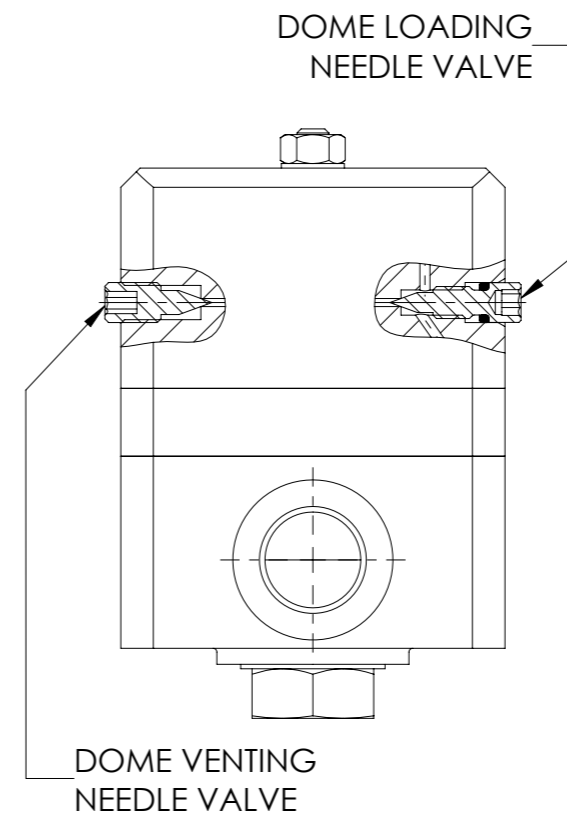
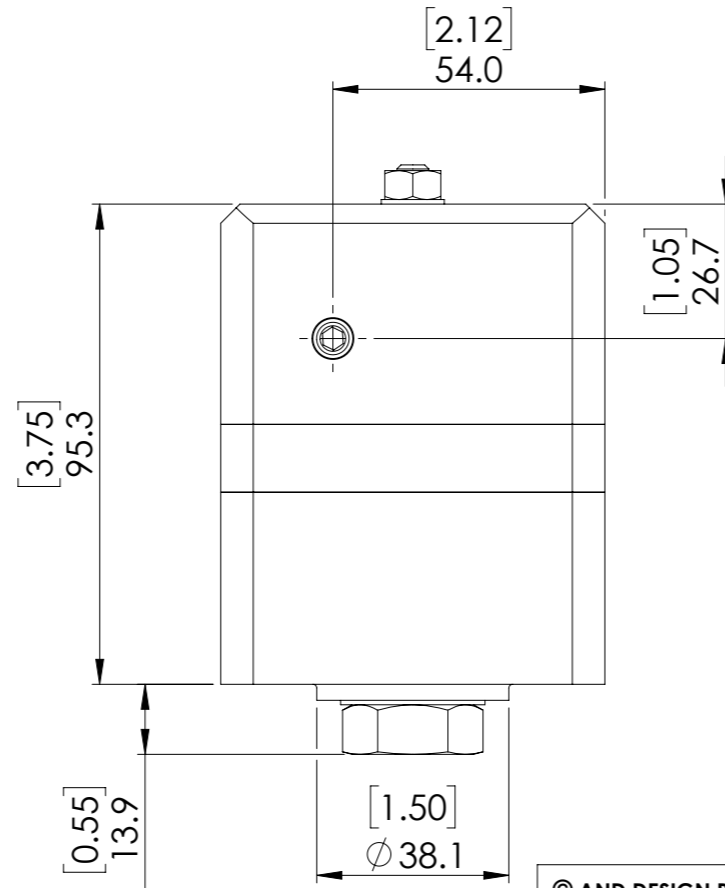
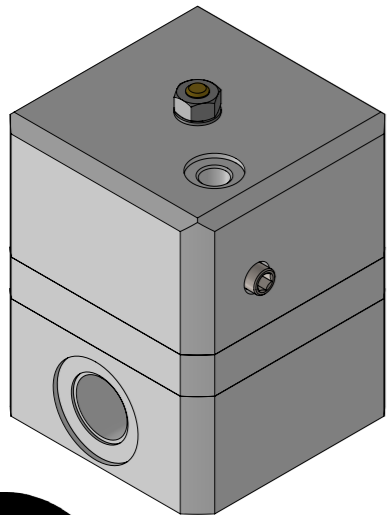
PORTING	
50P	1/2" BSPP
50N	1/2" NPT

MATERIAL	
AA	ALUMINIUM ALLOY
SS	STAINLESS STEEL
AB	ALUMINIUM BRONZE
BR	BRASS



SPECIFICATION

- ORIFICE SIZE: ϕ 11.1mm (0.44")
- MEDIUM: H100 - GAS ONLY
MEDIUM: H101 - GAS AND LIQUID
- DRY WEIGHT: 1.4 kg (3.1 lbs) (ALUMINIUM ALLOY)
- OXYGEN SERVICE AVAILABLE



© AND DESIGN RIGHT Bis Wells LTD. ALL RIGHTS RESERVED. WITHOUT THE PRIOR WRITTEN PERMISSION OF Bis Wells Ltd NO PART OF THIS DOCUMENT MAY BE ALTERED, ADAPTED, PUBLISHED, REPRODUCED OR TRANSMITTED IN ANY FORM OR MEDIUM.

UNLESS OTHERWISE SPECIFIED, DIMENSIONS ARE IN MILLIMETRES
ALTERNATIVE DIMENSIONS IN SQUARE BRACKETS ARE IN INCHES

DRAWN N.DANIEL	SHEET 1 OF 1	3RD ANGLE PROJECTION	DRAWING SIZE A3	DRAWING SCALE 2:3	DRAWING NUMBER DS0063
DATE 24/06/20	ISSUE 2				