

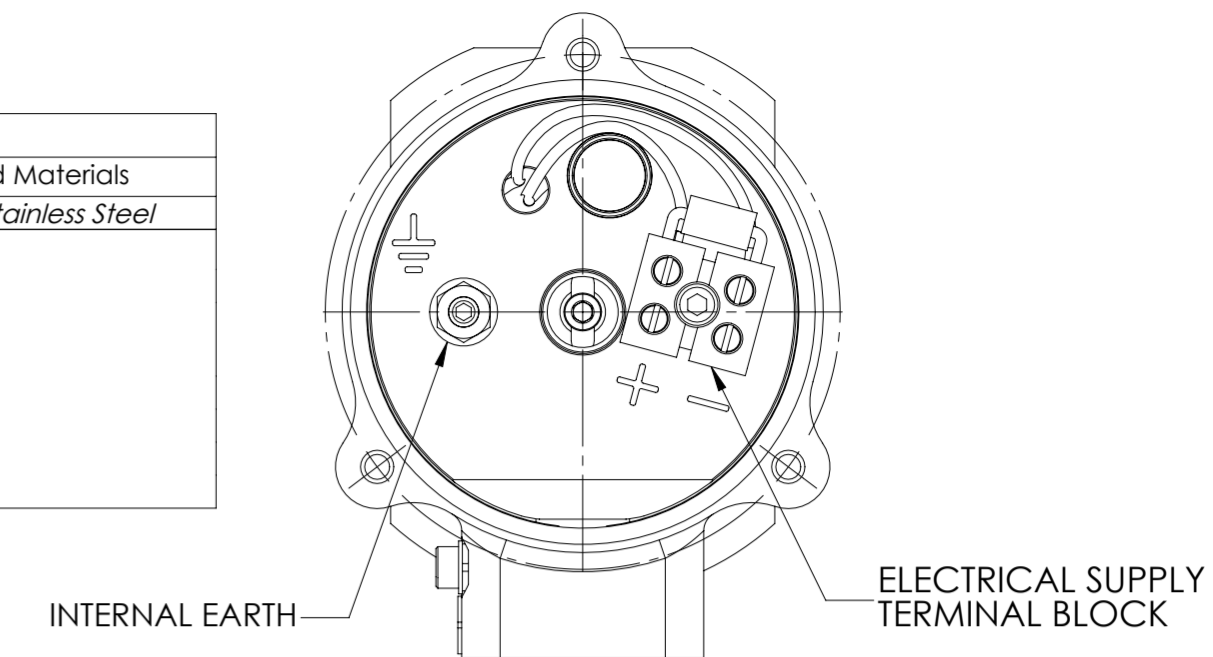
# DATASHEET

## SOLENOID VALVES: E39

### Model Code Structure - Standard Model Code in Red

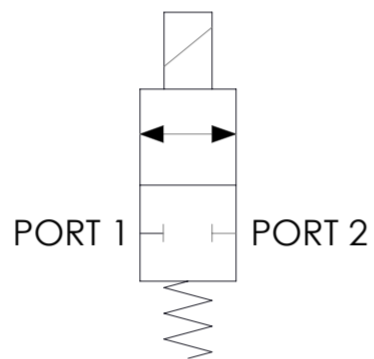
Valve Model	Solenoid Model	Conduit	Voltage	Reset	Pressure	Configuration	Port Type	Seal Material	Wetted Materials
<b>E39-</b> 2 Port 2 Position	<b>SD</b> Ex db Solenoid	<b>1</b> M20 x 1.5	<b>A</b> 12 Vdc	<b>A</b> Automatic	<b>45</b> 450 Bar	<b>NC</b> NORMALLY CLOSED	<b>25P</b> 1/4" BSP	<b>N</b> Nitrile. -15°C to +80°C	<b>SS/SS</b> Stainless Steel
<b>E39H2-</b> 2 Port 2 Position. Hydrogen Use	<b>SM</b> Ex mb Solenoid	<b>2</b> 1/2" NPT	<b>B</b> 24 Vdc	<b>O</b> Over ride	<b>OTHER PRESSURES AVAILABLE</b>	<b>NO</b> NORMALLY OPEN	<b>25N</b> 1/4" NPT	<b>V</b> FKM. -10°C to +80°C	
			<b>C</b> 48 Vdc	<b>M</b> Manual Reset			<b>SAE6</b> 9/16" UNF	<b>S</b> Silicone. -45°C to +80°C	
			<b>D</b> 115 Vdc				<b>MANIFOLD OPTIONS AVAILABLE</b>	<b>UH</b> Low Temperature HNBR. -40°C to +80°C	
			<b>E</b> 24 Vac					<b>E</b> EPDM. -35°C to +80°C	
			<b>F</b> 48 Vac						
			<b>G</b> 115 Vac						
			<b>H</b> 230 Vac						

TOP VIEW WITH LID REMOVED



AMBIENT TEMPERATURE LIMITS			
Ex db IIC T4 Gb & T6 Gb and Ex fb IIIC T4 Db & T6 Db			
SOLENOID SEAL MATERIAL	MIN Tamb (°C)	MAX Tamb (°C) (T4 135°C)	MAX Tamb (°C) (T6 85°C)
SILICON	-60	85	40
Ex mb IIC T4 Gb and Ex mb IIIC T4 Db			
SOLENOID SEAL MATERIAL	MINIMUM Tamb (°C)	MAXIMUM Tamb (°C) (T4 135°C)	
SILICON	-40	60	

VALVE SYMBOL

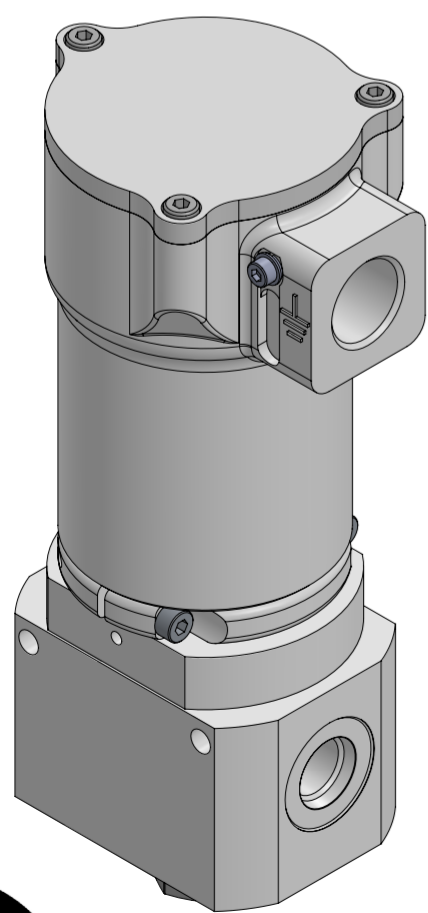


### SPECIFICATION:

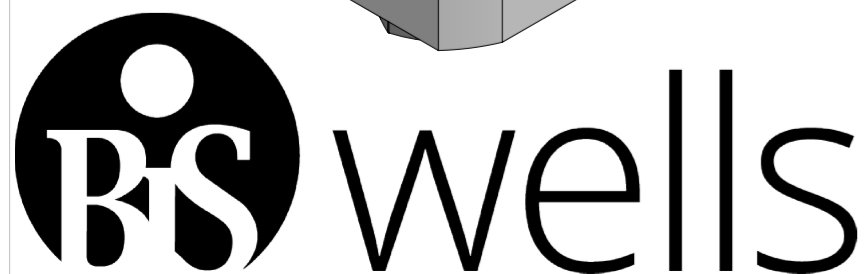
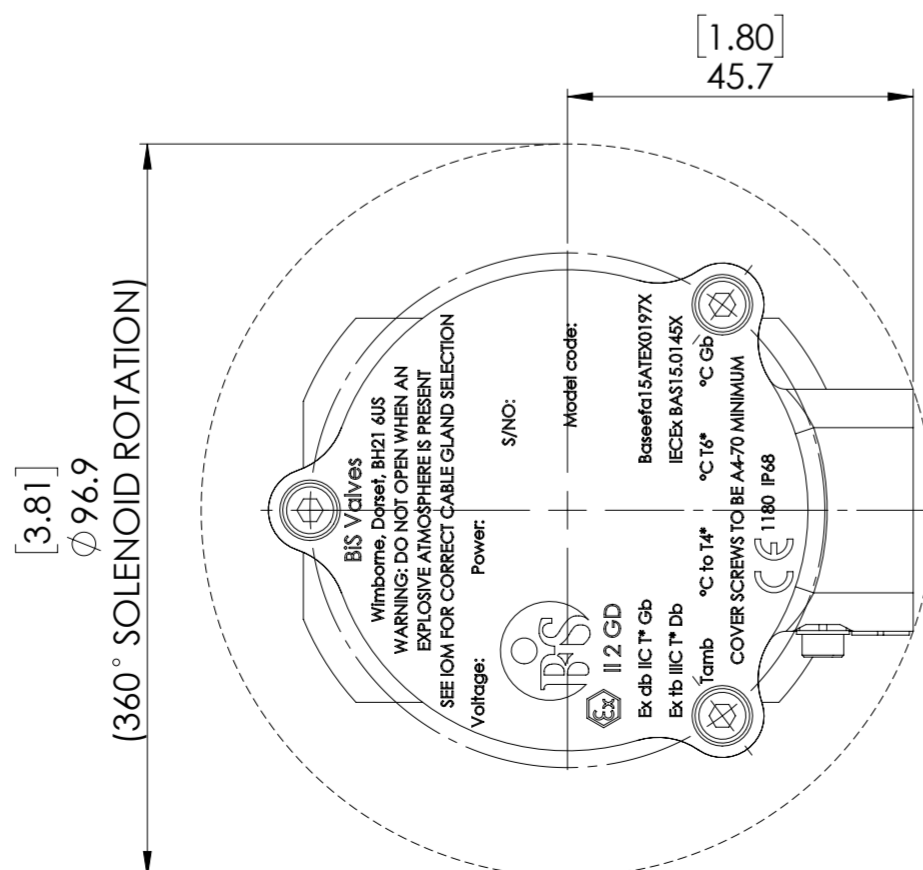
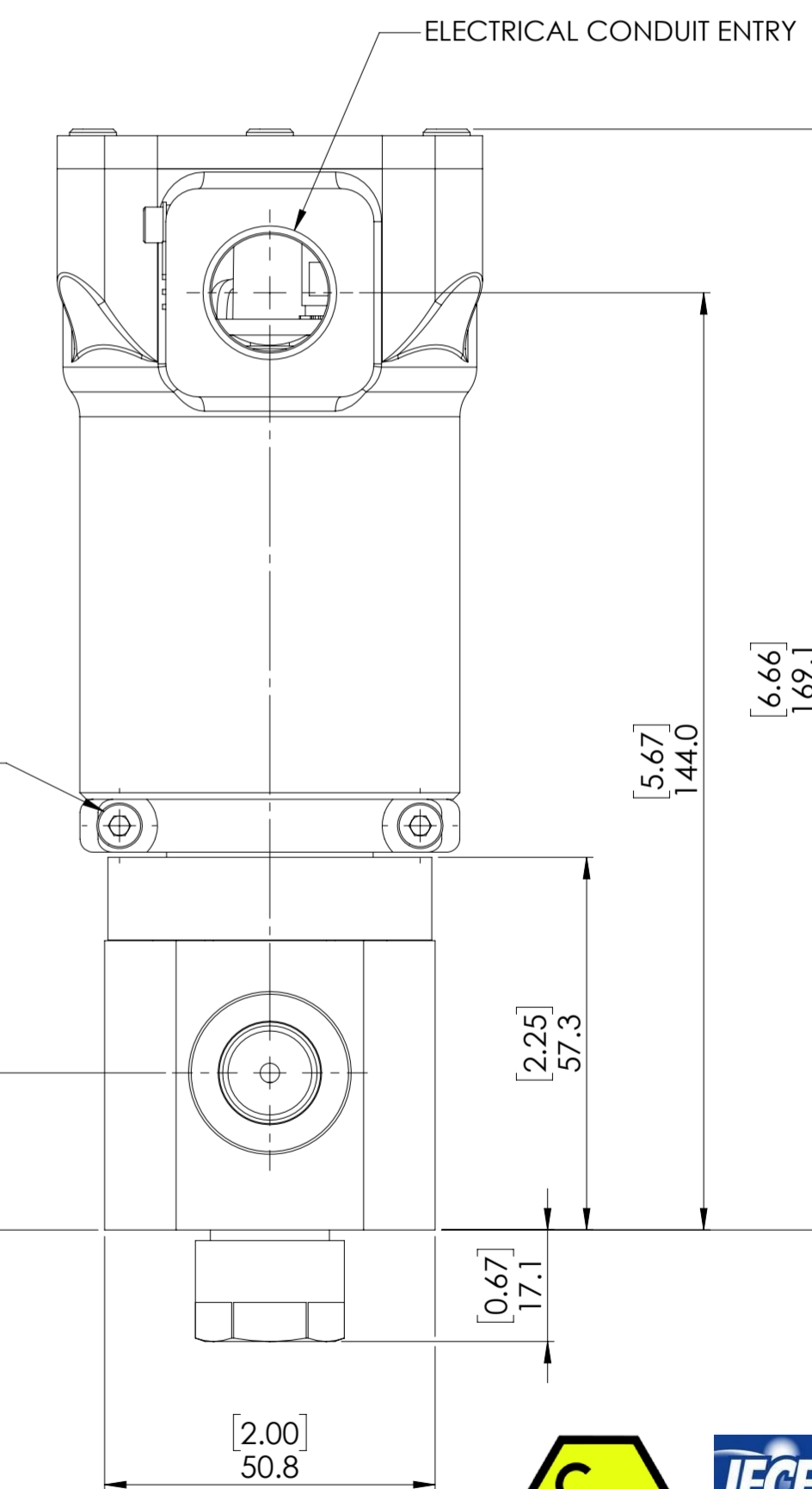
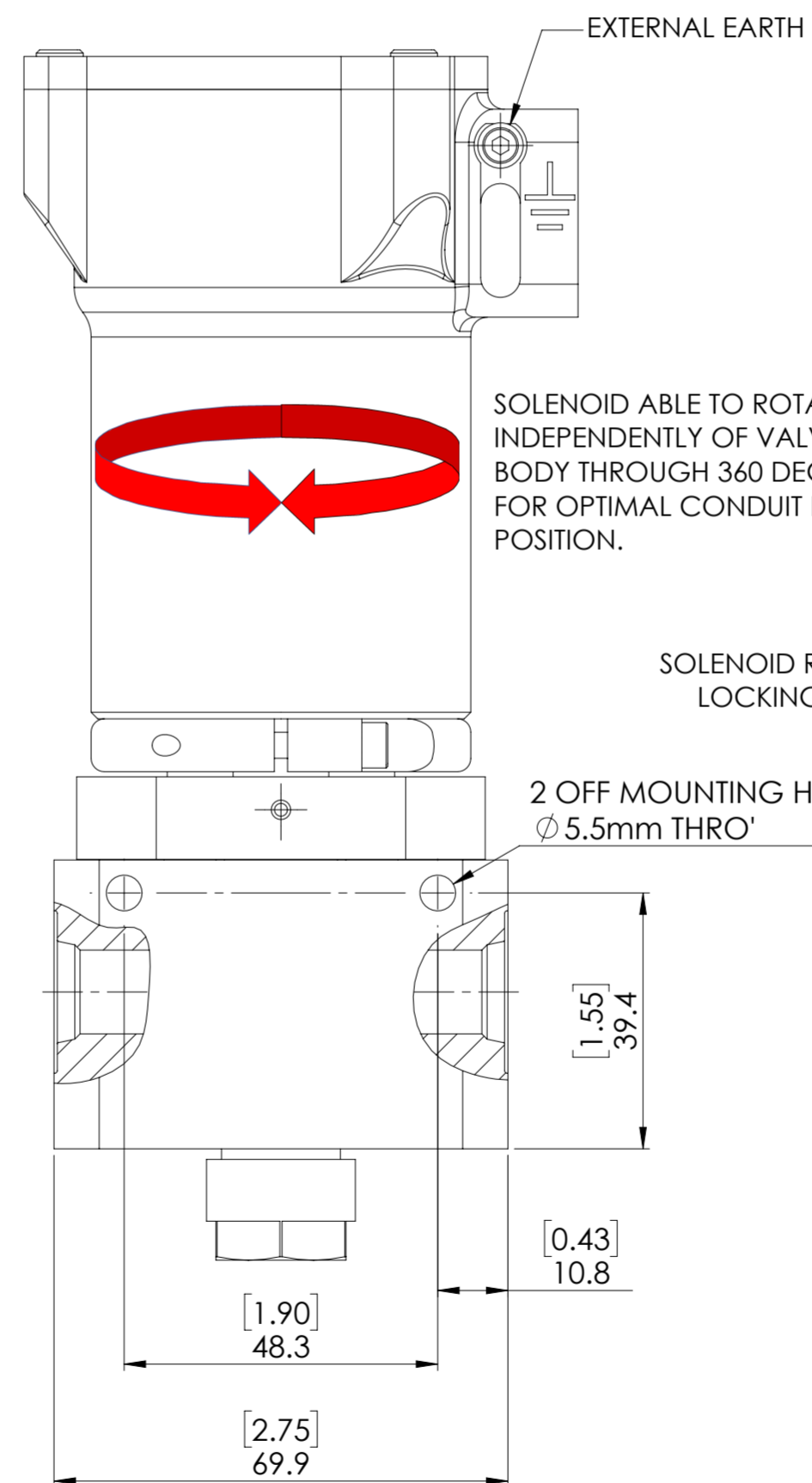
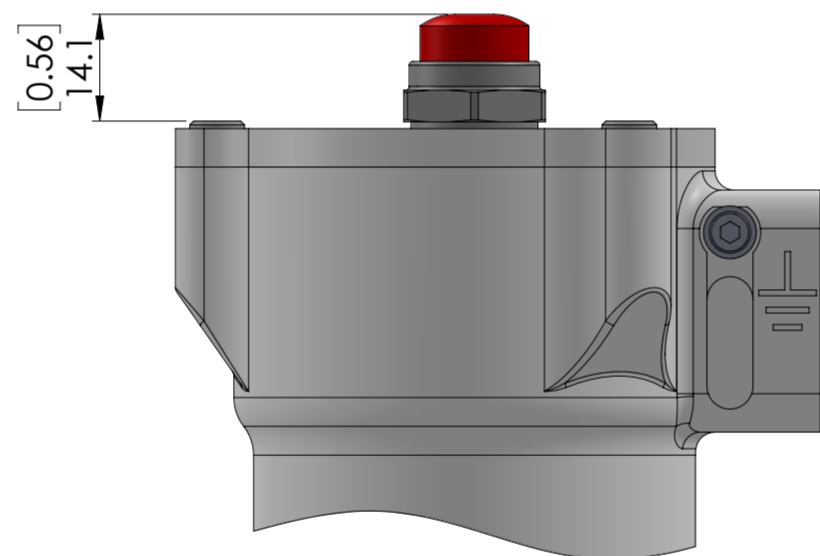
- POWER RATING: 8 WATTS
- SEAT MATERIAL: PEEK (OTHER MATERIALS AVAILABLE)
- Cv: 0.15
- WEIGHT: 3.5 Kg
- IP RATING: IP68
- SUITABLE FOR BOTH GASES AND LIQUIDS
- SURGE SUPPRESSION DIODE FITTED AS STANDARD

PRESSURE BALANCED DESIGN. PRESSURE CAN BE APPLIED TO EITHER PORT.

NORMALLY CLOSED VERSION SHOWN.



DETAIL OF MANUAL RESET AND OVERRIDE PUSH BUTTON ARRANGEMENT



© AND DESIGN RIGHT BIS WELLS LTD. ALL RIGHTS RESERVED. WITHOUT THE PRIOR WRITTEN PERMISSION OF BIS WELLS LTD NO PART OF THIS DOCUMENT MAY BE ALTERED, ADAPTED, PUBLISHED, REPRODUCED OR TRANSMITTED IN ANY FORM OR MEDIUM.				UNLESS OTHERWISE SPECIFIED, DIMENSIONS ARE IN MILLIMETRES. ALTERNATIVE DIMENSIONS IN SQUARE BRACKETS ARE IN INCHES.			
DRAWN	J.PHELAN	SHEET	1 OF 1	DRAWING SIZE	A2	DRAWING SCALE	1:1
DATE	06/01/2022	ISSUE	3	3RD ANGLE PROJECTION		DRAWING NUMBER	DS0080