

DATASHEET

SOLENOID VALVES: E85 & E85H2

Model Code Structure - Standard Model Code in Red

Valve Model	Solenoid Model	Conduit	Voltage	Reset	Pressure	Port Type	Seal Material	Wetted Materials
E85- 3 Port 2 Position	SD Ex db Solenoid	1 M20 x 1.5	A 12 Vdc	A Automatic	16 16 Bar	25P 1/4" BSP	N Nitrile. -25°C to + 105°C	SS/SS Stainless Steel
E85H2- 3 Port 2 Position, Hydrogen Use	SM Ex mb Solenoid	2 1/2" NPT	B 24 Vdc	O Override		25N 1/4" NPT	V FKM. -10°C to + 120°C	
			C 48 Vdc	M Manual Reset		37P 3/8" BSP	E EPDM. -45°C to + 150°C	
			D 115 Vdc			37N 3/8" NPT		
			E 24 Vac					
			F 48 Vac					
			G 115 Vac					
			H 230 Vac					

AMBIENT TEMPERATURE LIMITS

Ex db IIC T4 Gb & T6 Gb and Ex tb IIIC T4 Db & T6 Db

SOLENOID SEAL MATERIAL	MIN Tamb (°C)	MAX Tamb (°C) (T4 135°C)	MAX Tamb (°C) (T6 85°C)
SILICONE	-60	85	40

SOLENOID SEAL MATERIAL	MINIMUM Tamb (°C)	MAXIMUM Tamb (°C) (T4 135°C)
SILICONE	-40	60

SPECIFICATION:

POWER RATING: 3 WATTS (3.5 WATTS FOR MANUAL RESET VERSION)

Cv: 0.6

WEIGHT: 2.9 Kg

IP RATING: IP68

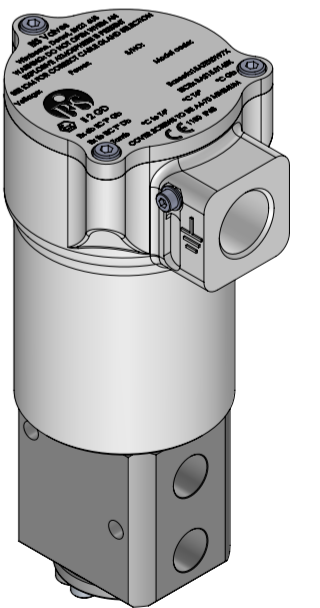
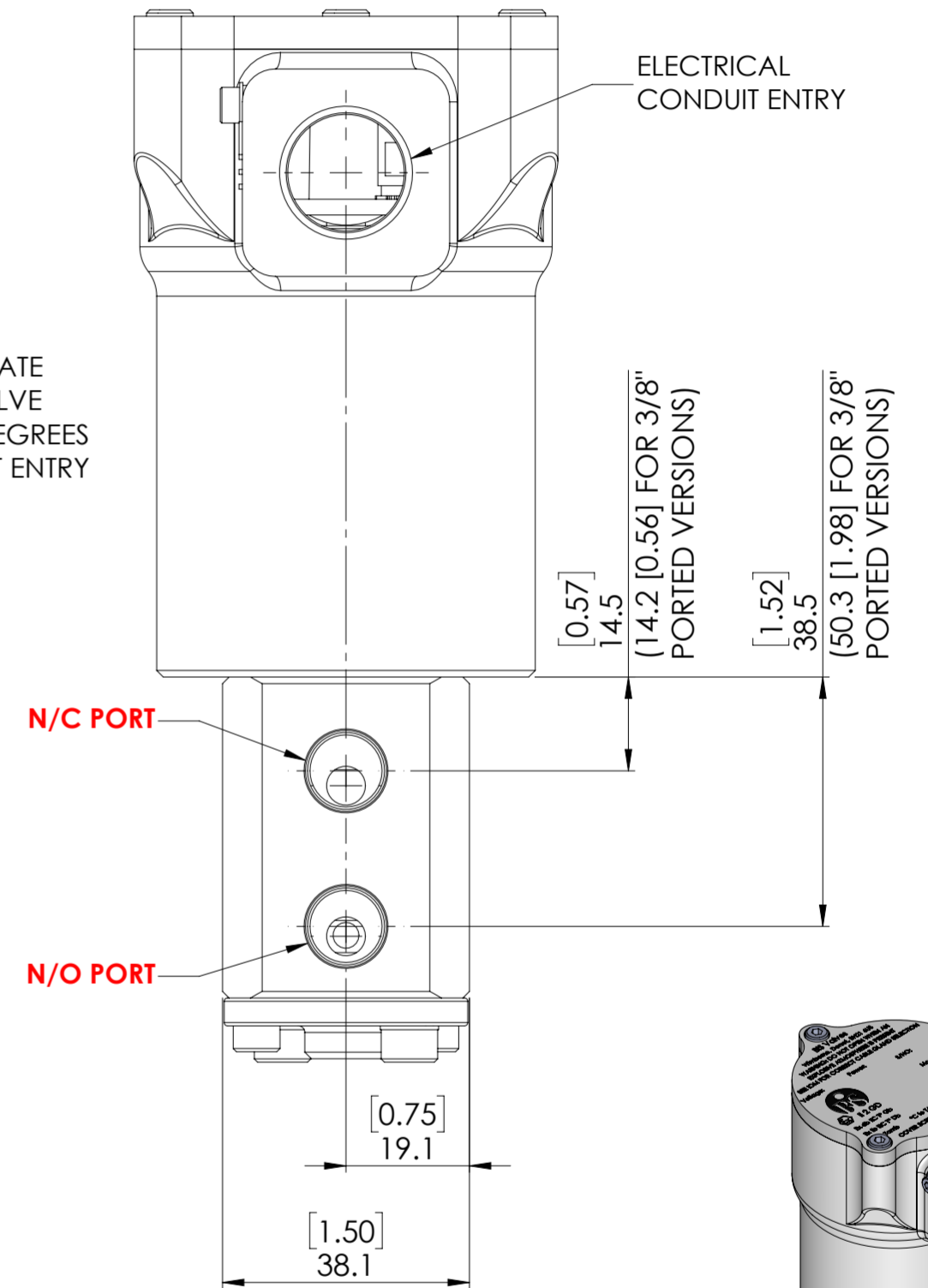
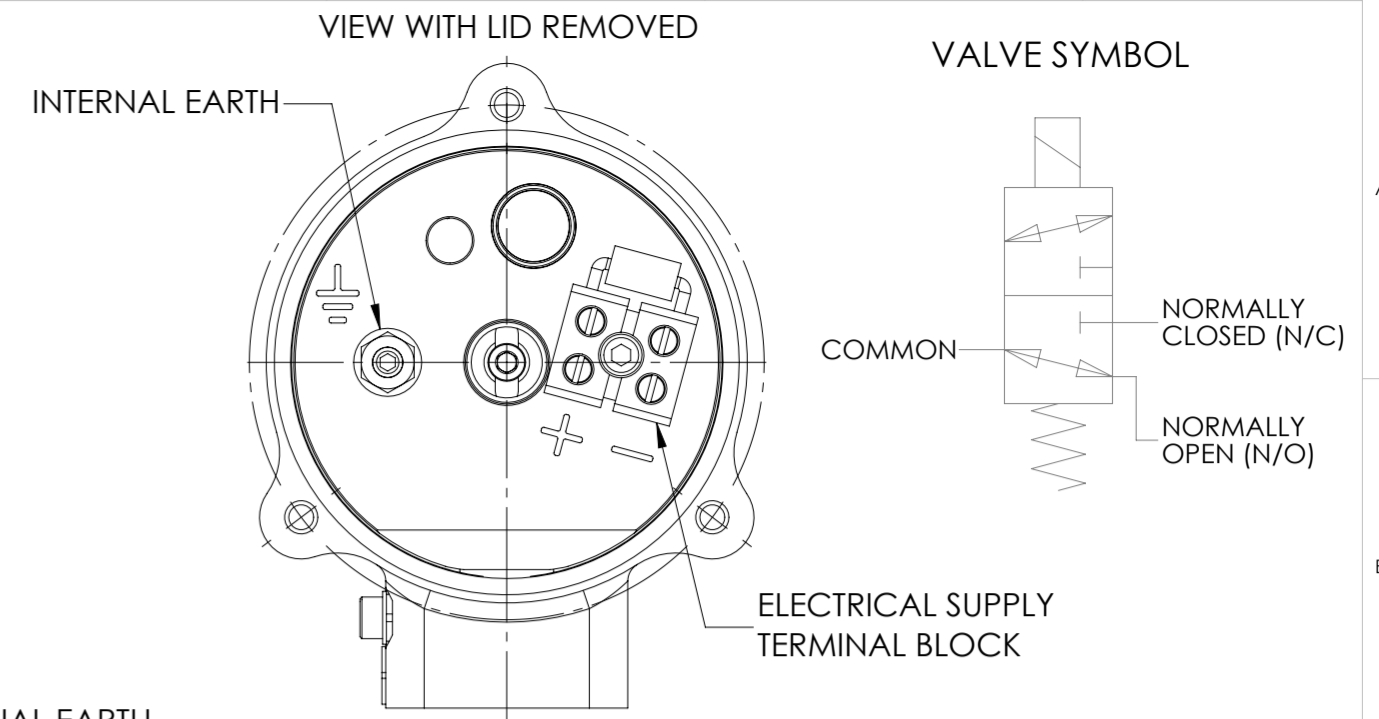
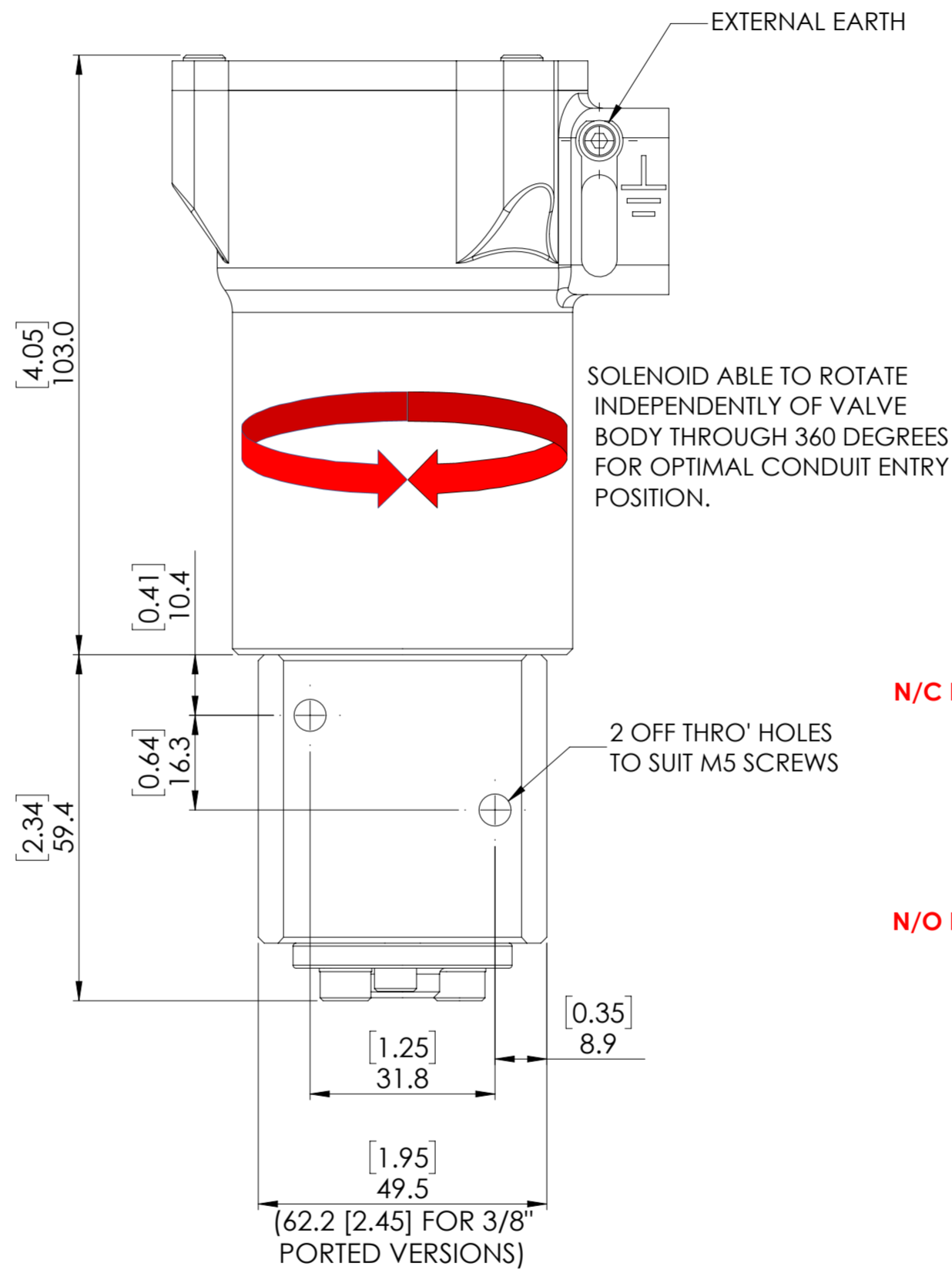
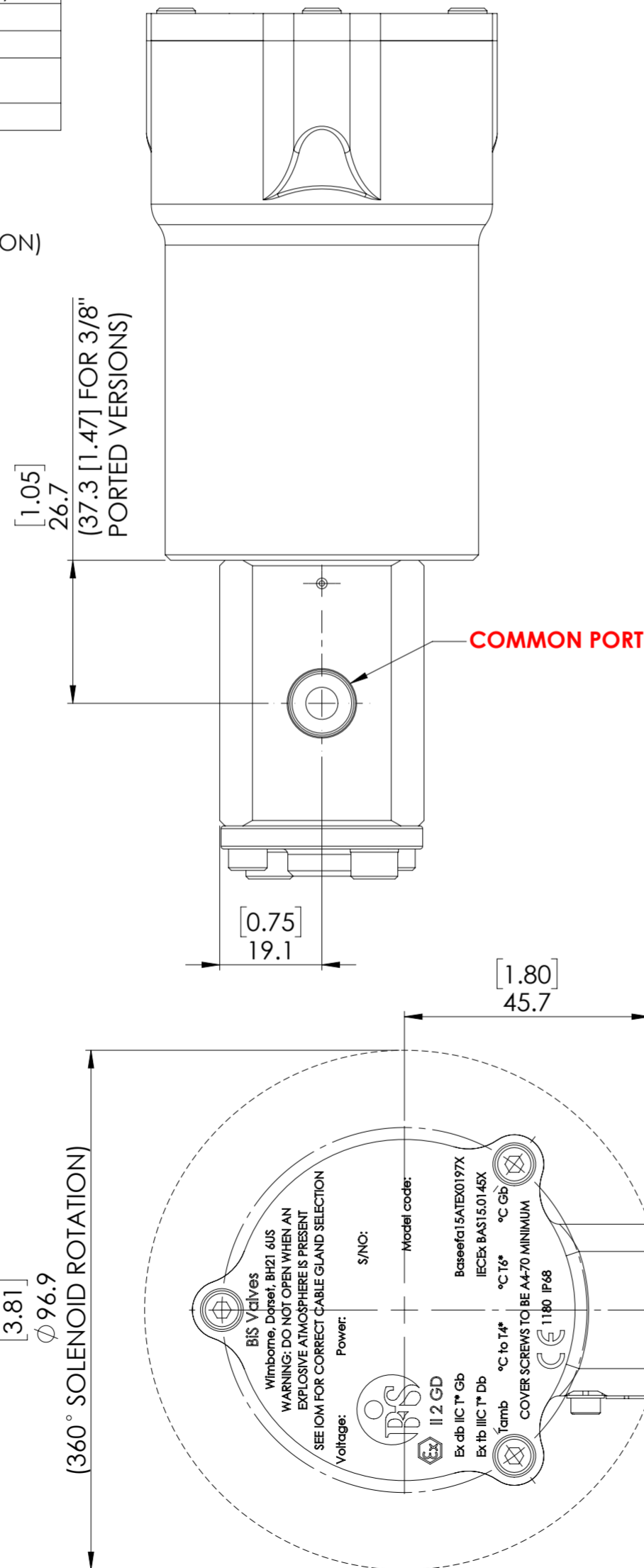
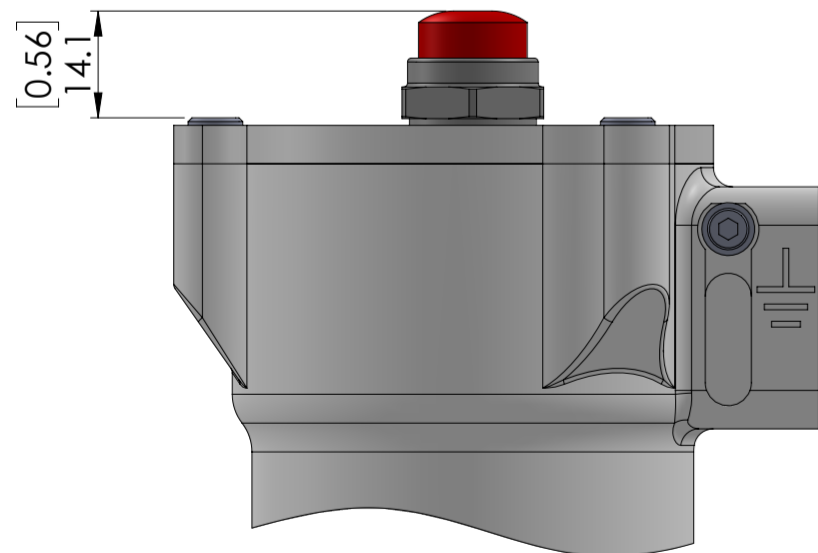
SUITABLE FOR BOTH GASES AND LIQUIDS

SURGE SUPPRESSION DIODE FITTED AS STANDARD

PRESSURE BALANCED DESIGN.

INLET PRESSURE CAN BE APPLIED TO ANY PORT.

DETAIL OF MANUAL RESET AND OVERRIDE PUSH BUTTON ARRANGEMENT



© AND DESIGN RIGHT BIS WELLS LTD. ALL RIGHTS RESERVED. WITHOUT THE PRIOR WRITTEN PERMISSION OF BIS WELLS LTD NO PART OF THIS DOCUMENT MAY BE ALTERED, ADAPTED, PUBLISHED, REPRODUCED OR TRANSMITTED IN ANY FORM OR MEDIUM.

DRAWN J. KIM	SHEET 1 OF 1	DRAWING SIZE A2	DRAWING SCALE 1:1	DRAWING NUMBER DS0113
DATE 10/04/24	ISSUE 1	3RD ANGLE PROJECTION		

DO NOT UNDO THESE M4 SCREWS WHEN ROTATING THE SOLENOID

UNLESS OTHERWISE SPECIFIED, DIMENSIONS ARE IN MILLIMETRES ALTERNATIVE DIMENSIONS IN SQUARE BRACKETS ARE IN INCHES