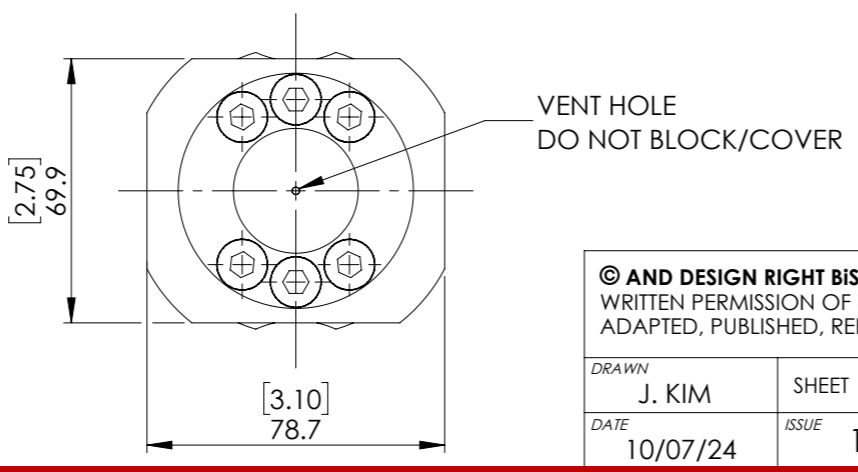
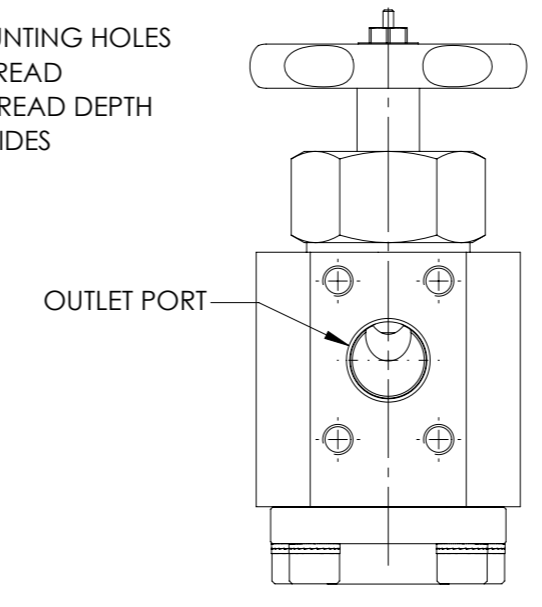
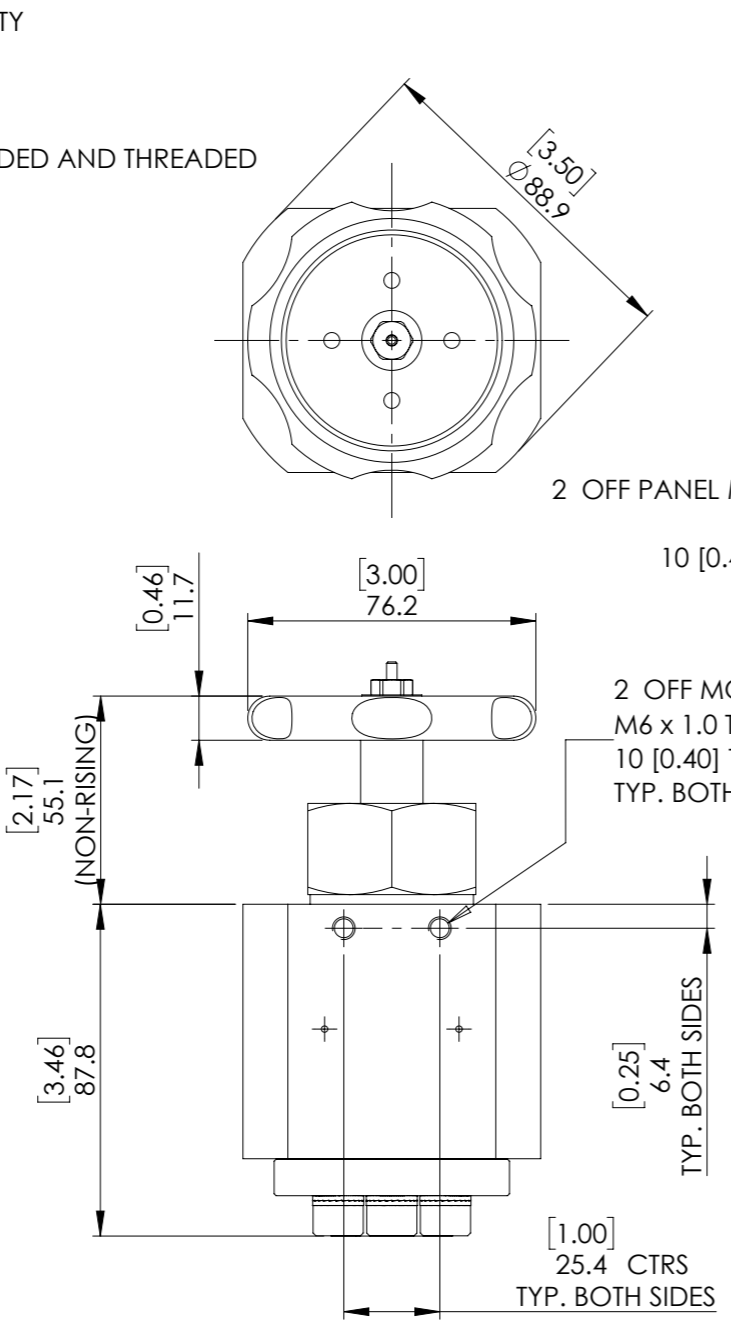
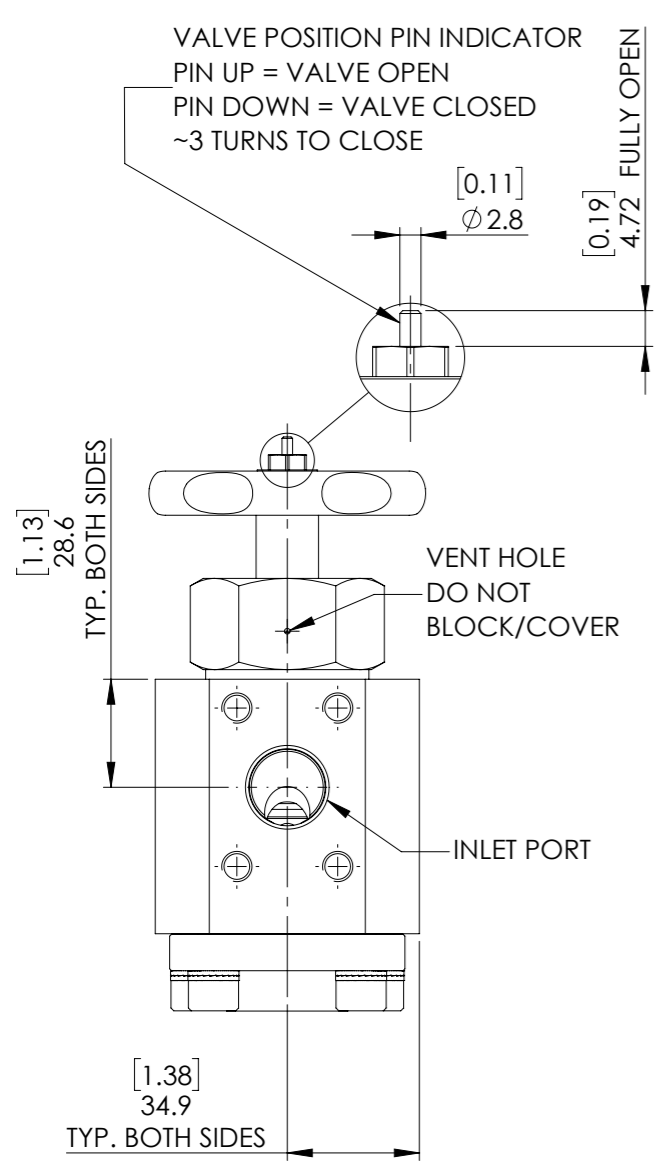
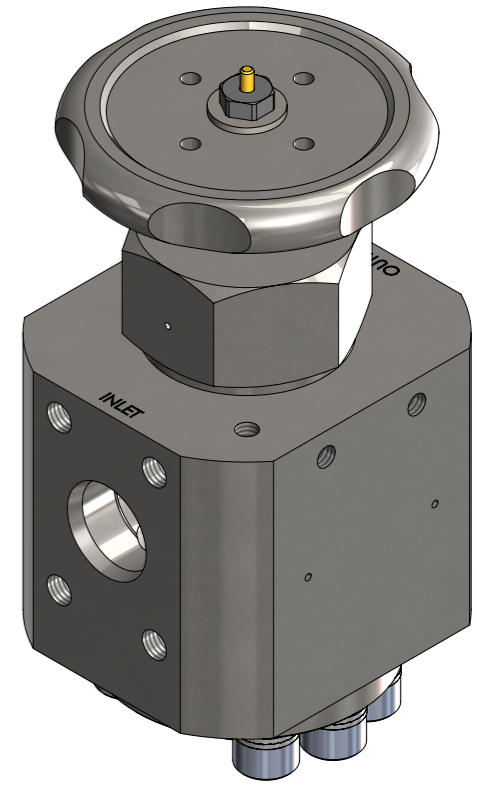


DATASHEET

BALANCED MANUAL STOP VALVES: B102 & B102H2

TPED (2010/35/EU) & CDGUTPER (2009) COMPLIANT

- PI AND RHO MARKED FOR USE AS TRANSPORTABLE PRESSURE EQUIPMENT
- BALANCED DESIGN FOR LOW OPERATING TORQUE AT ALL PRESSURES
- EXCELLENT INTERNAL AND EXTERNAL LEAK INTEGRITY
- TYPE TESTED TO BS EN ISO 10297:2014 + A1:2017
- MANUFACTURED TO BS EN ISO 14246:2022
- NON-RISING STEM FOR COMPACT INSTALLATIONS
- WIDE RANGE OF FLANGE OPTIONS FOR BOTH WELDED AND THREADED CONNECTIONS AVAILABLE SEPARATELY



APPROVALS	TPED/CDGUTPER CERTIFIED TO 500 BAR	
WEIGHT	3.5 kg / (7.7 lbs)	
PORTING	OPEN FLANGE CONNECTION POINTS SUITABLE FOR USE WITH BIS PORTED OR WELDABLE FLANGES (NOT INCLUDED). CONTACT BIS WELLS FOR OPTIONS	
MEDIA	B102H2	SUITABLE FOR USE WITH HYDROGEN
	B102	SUITABLE FOR USE WITH NON-OXIDIZING GASES THAT ARE COMPATIBLE WITH THE MATERIALS OF CONSTRUCTION.
MIN. TEMPERATURE	-40°C (-20°C FOR OPENING/CLOSING OPERATIONS. AS PER BS EN ISO 10297:2014+A1:2017)	
MAX. TEMPERATURE	+65°C FOR TPE FUNCTIONS +80°C FOR NON-TPE FUNCTIONS	
ORIFICE SIZE	\varnothing 12mm	
MATERIALS OF CONSTRUCTION (GAS WETTED AREAS)	METALLIC PARTS: AUSTENITIC STAINLESS STEEL NON-METALLIC : PEEK, FLUOROCARBON, EPDM	
MAX. PRESSURE	500 BAR FOR TPE FUNCTIONS 700 BAR FOR NON-TPE FUNCTIONS	
DIRECTION OF FLOW	INLET PORT IS DESIGNED TO BE PRESSURISED DURING TRANSPORTATION (TPE FUNCTIONS). BI-DIRECTIONAL FOR NON-TPE FUNCTIONS	
HANDWHEEL OPERATION	CLOCKWISE TO CLOSE (STOP FLOW)	
RESTRICTIONS OF USE	NOT SUITABLE FOR USE IN OXYGEN, MEDICAL, OR BREATHING EQUIPMENT APPLICATIONS	
SERVICING	RETURN TO BIS WELLS FOR SERVICING.	



© AND DESIGN RIGHT Bis Wells LTD. ALL RIGHTS RESERVED. WITHOUT THE PRIOR WRITTEN PERMISSION OF Bis Wells Ltd NO PART OF THIS DOCUMENT MAY BE ALTERED, ADAPTED, PUBLISHED, REPRODUCED OR TRANSMITTED IN ANY FORM OR MEDIUM.

UNLESS OTHERWISE SPECIFIED, DIMENSIONS ARE IN MILLIMETRES
ALTERNATIVE DIMENSIONS IN SQUARE BRACKETS ARE IN INCHES

DRAWN J. KIM	SHEET 1 OF 1	3RD ANGLE PROJECTION	DRAWING SIZE A3	DRAWING SCALE 1:2	DRAWING NUMBER DS0117
DATE 10/07/24	ISSUE 1				