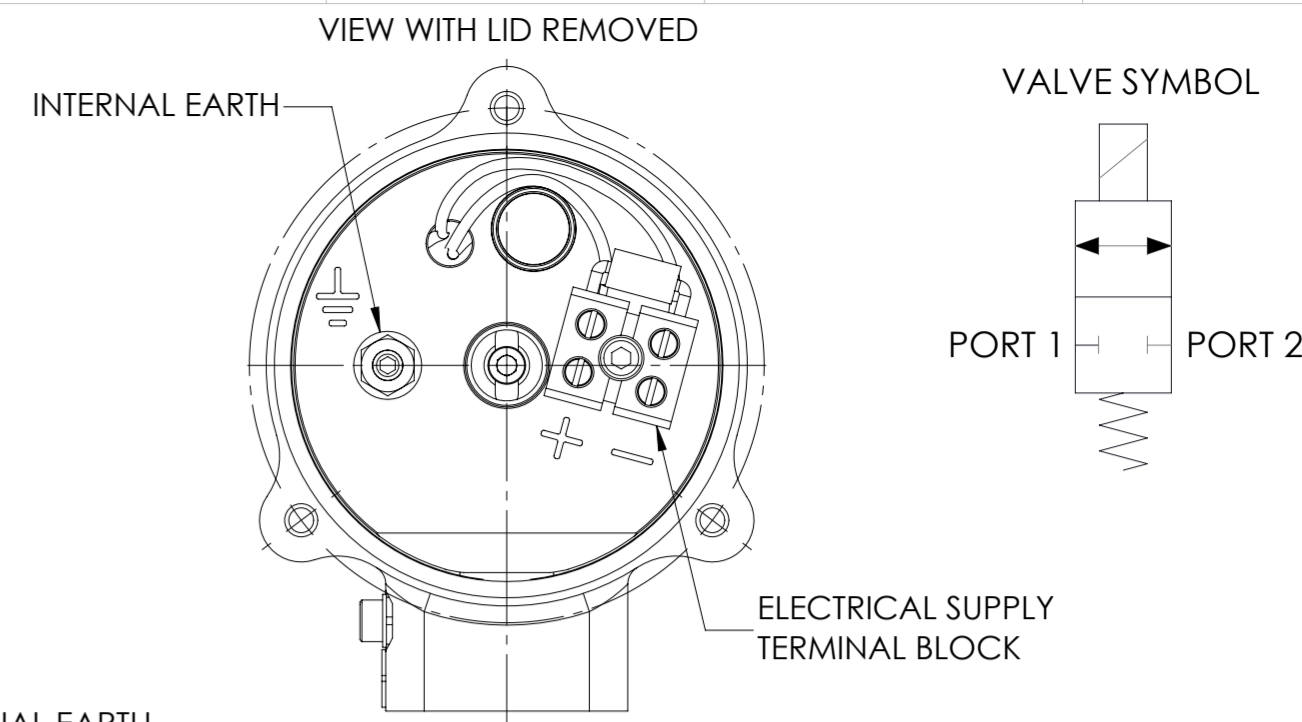


DATASHEET

SOLENOID VALVES: E83 & E83H2

Model Code Structure - Standard Model Code in Red

| Valve Model | | Solenoid Model | | Conduit | | Voltage | | Reset | | Pressure | | Port Type | | Seal Material | | Wetted Materials | |
|---------------|----------------------|----------------|----------------|----------|-----------|----------|---------|----------|--------------|-----------|--------|------------|----------|---------------|---------------------------|------------------|-----------------|
| E83- | 2/2 Normally Closed | SD | Ex db Solenoid | 1 | M20 x 1.5 | A | 12 Vdc | A | Automatic | 16 | 16 Bar | 25P | 1/4" BSP | N | Nitrile. -25°C to + 105°C | SS/SS | Stainless Steel |
| E83H2- | 2/2 NC. Hydrogen Use | SM | Ex mb Solenoid | 2 | 1/2" NPT | B | 24 Vdc | O | Override | | | 25N | 1/4" NPT | V | FKM. -10°C to + 120°C | | |
| | | | | | | C | 48 Vdc | M | Manual Reset | | | 37P | 3/8" BSP | E | EPDM. -45°C to + 150°C | | |
| | | | | | | D | 115 Vdc | | | | | 37N | 3/8" NPT | | | | |
| | | | | | | E | 24 Vac | | | | | | | | | | |
| | | | | | | F | 48 Vac | | | | | | | | | | |
| | | | | | | G | 115 Vac | | | | | | | | | | |
| | | | | | | H | 230 Vac | | | | | | | | | | |



| AMBIENT TEMPERATURE LIMITS | | | |
|------------------------------------------------------|-------------------|------------------------------|-------------------------|
| Ex db IIC T4 Gb & T6 Gb and Ex tb IIIC T4 Db & T6 Db | | | |
| SOLENOID SEAL MATERIAL | MIN Tamb (°C) | MAX Tamb (°C) (T4 135°C) | MAX Tamb (°C) (T6 85°C) |
| SILICONE | -60 | 85 | 40 |
| Ex mb IIC T4 Gb and Ex mb IIIC T4 Db | | | |
| SOLENOID SEAL MATERIAL | MINIMUM Tamb (°C) | MAXIMUM Tamb (°C) (T4 135°C) | |
| SILICONE | -40 | 60 | |

SPECIFICATION:

POWER RATING: 3 WATTS (3.5 WATTS FOR MANUAL RESET VERSION)
 Cv: 0.6
 WEIGHT: 2.9 Kg
 IP RATING: IP68
 SUITABLE FOR BOTH GASES AND LIQUIDS
 SURGE SUPPRESSION DIODE FITTED AS STANDARD
 COIL INSULATION CLASS H
 PRESSURE BALANCED DESIGN.
 INLET PRESSURE CAN BE APPLIED TO EITHER PORT.

