

# DATASHEET

## 'T' FILTER: F24 (STAINLESS STEEL VERSION UP TO 1,035 BAR)

MODEL CODE					
F24 -	5	10M	SS	81AE	N

MODEL TYPE	
F24 -	'T' STYLE FILTER

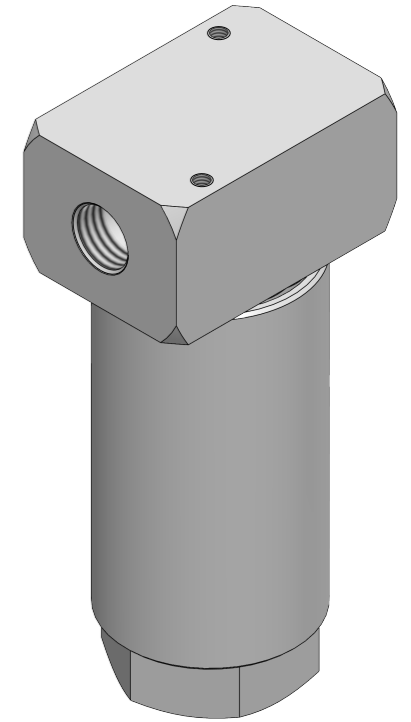
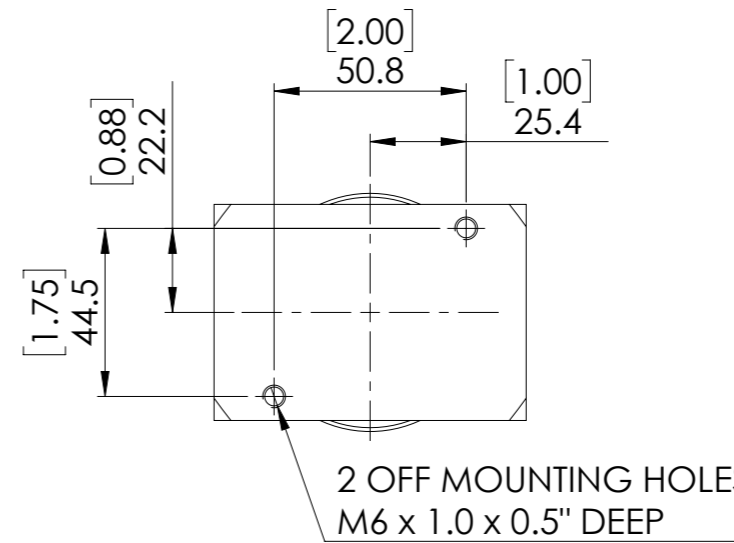
MAXIMUM WORKING PRESSURE	
5	1,035 Bar (15,000 Psi)

FILTRATION	
5M	5 MICRON
10M	10 MICRON
25M	25 MICRON
37M	37 MICRON
100M	100 MICRON

SEAL MATERIAL	
N	NITRILE (-5°C TO +80°C)*
V	FKM (5°C TO +80°C)*
E	EPDM (-40°C TO +80°C)*

PORTS	
81AE	9/16" MP FEMALE

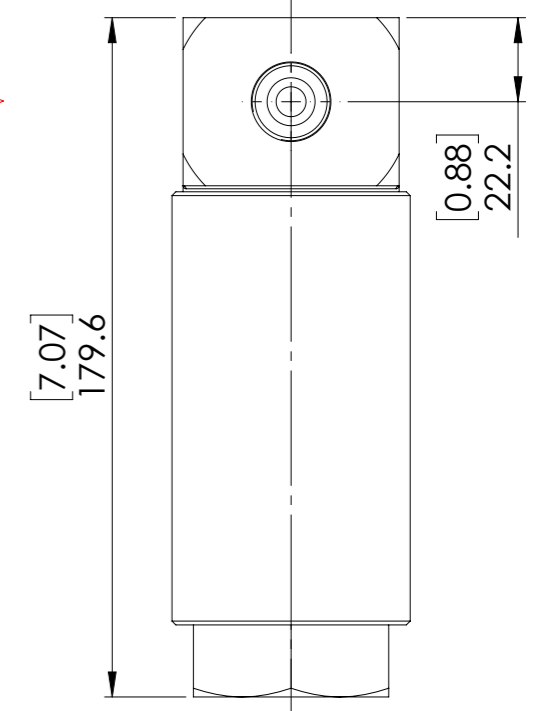
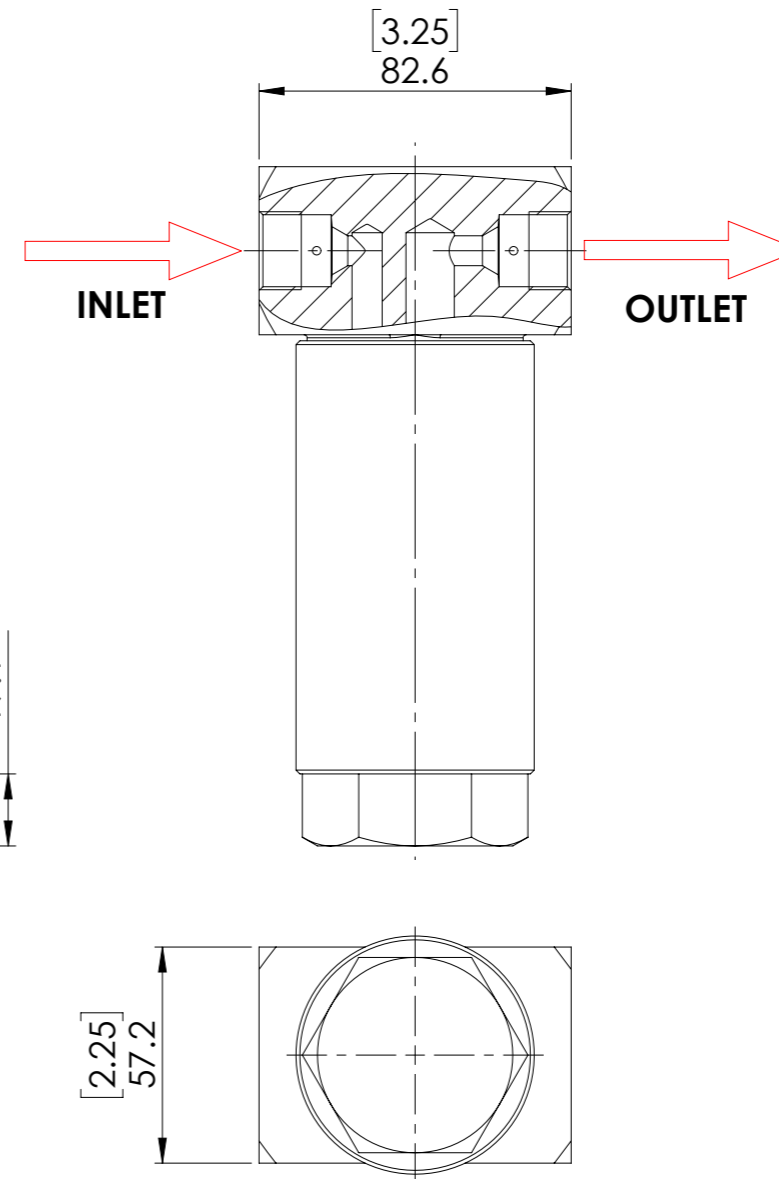
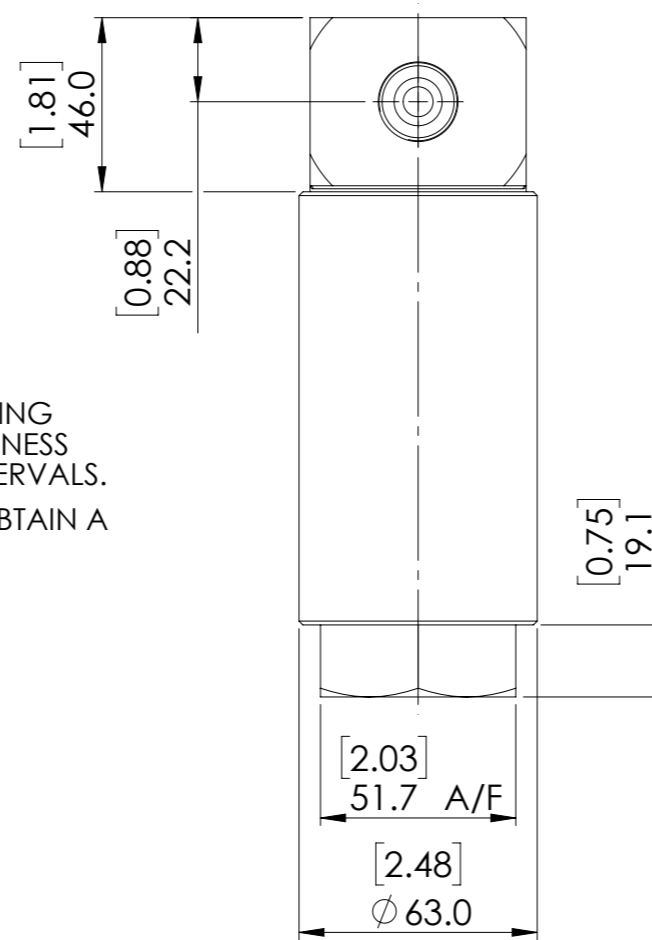
EXTERNAL MATERIAL	
SS	STAINLESS STEEL



THIS DATA SHEET RELATES TO THE STAINLESS STEEL VERSION WITH PRESSURE UP TO 1,035 BAR. CONTACT US FOR OTHER F24 DATA SHEETS WITH OTHER MATERIALS AND OTHER PRESSURE RATINGS.

### SPECIFICATION

- MEDIUM: GAS AND LIQUIDS
- DRY WEIGHT: 4.1kg (9.04 lb)
- OTHER SEAL MATERIALS AVAILABLE ON REQUEST.
- FILTRATION MICRON RATINGS ARE NOMINAL.
- OTHER FILTRATION SIZES ARE AVAILABLE.
- FLOW CAPACITY IS DEPENDANT ON MANY FACTORS INCLUDING FILTRATION RATING, WORKING MEDIA, DUTY CYCLE, CLEANLINESS OF FLUID BEING FILTERED, AND REQUIRED MAINTENANCE INTERVALS. PLEASE CONTACT US WITH YOUR APPLICATION DETAILS TO OBTAIN A PRODUCT SIZING RECOMMENDATION.



\* THE NOMINAL TEMPERATURE RATINGS SHOWN ARE BASED ON STATIC PRESSURE CONDITIONS. ACTUAL TEMPERATURE PERFORMANCE WILL VARY WITH APPLICATION. TEMPERATURE TESTING IS ADVISED WHERE CRITICAL.

© AND DESIGN RIGHT Bis Wells LTD. ALL RIGHTS RESERVED. WITHOUT THE PRIOR WRITTEN PERMISSION OF Bis Wells Ltd NO PART OF THIS DOCUMENT MAY BE ALTERED, ADAPTED, PUBLISHED, REPRODUCED OR TRANSMITTED IN ANY FORM OR MEDIUM.

UNLESS OTHERWISE SPECIFIED DIMENSIONS ARE IN MILLIMETRES. ALTERNATIVE DIMENSIONS IN SQUARE BRACKETS ARE IN INCHES.

DRAWN T. PECKETT	SHEET 1 OF 1	 3RD ANGLE PROJECTION	DRAWING SIZE A3	DRAWING SCALE 1:2	DRAWING NUMBER DS0094
DATE 18/05/23	ISSUE 2				