

# DATASHEET

## DIRECTIONAL CONTROL VALVE (DCV): K38

MODEL CODE					
K38 -	11	AA	37P	N	NY

MODEL TYPE	
K38 -	K38 (2 POSITION PRESSURE BIASED DCV) NORMALLY CLOSED

	MAXIMUM INLET PRESSURE	PILOT PRESSURE RANGE
11	450 bar (6,500 psi)	6.2 - 10 bar (90 - 145 psi)
22	276 bar (4,000 psi)	4.2 - 8.3 bar (60 - 120 psi)

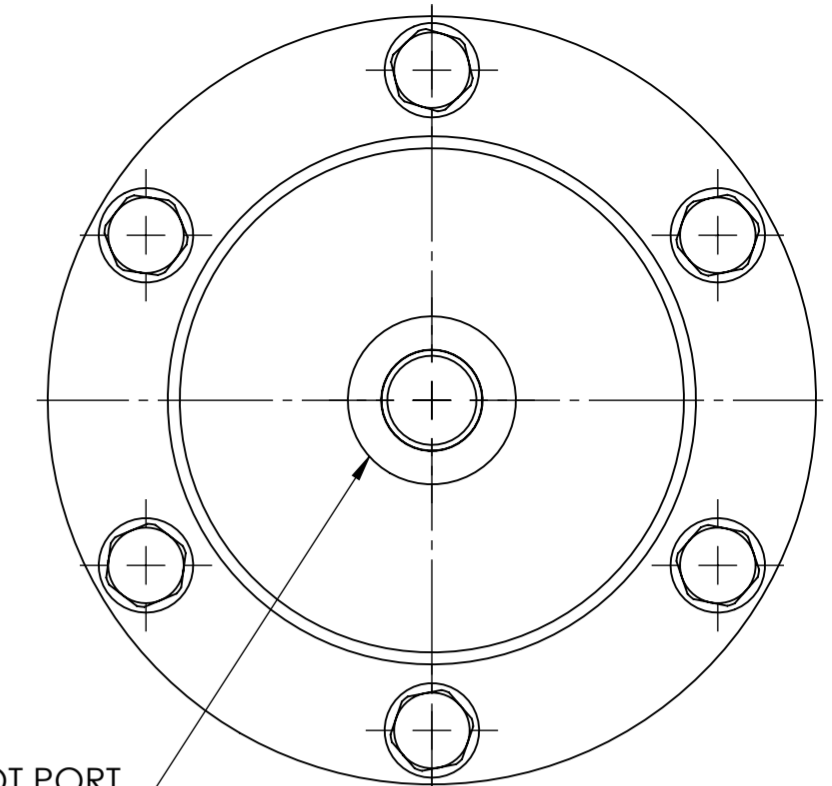
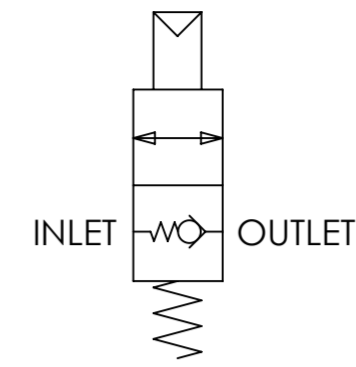
MATERIAL	
AA	ALUMINIUM ALLOY
SS	STAINLESS STEEL
AB	ALUMINIUM BRONZE
BR	BRASS

SEAT MATERIAL	
NY	NYLON

SEALS	
N	NITRILE
V	VITON

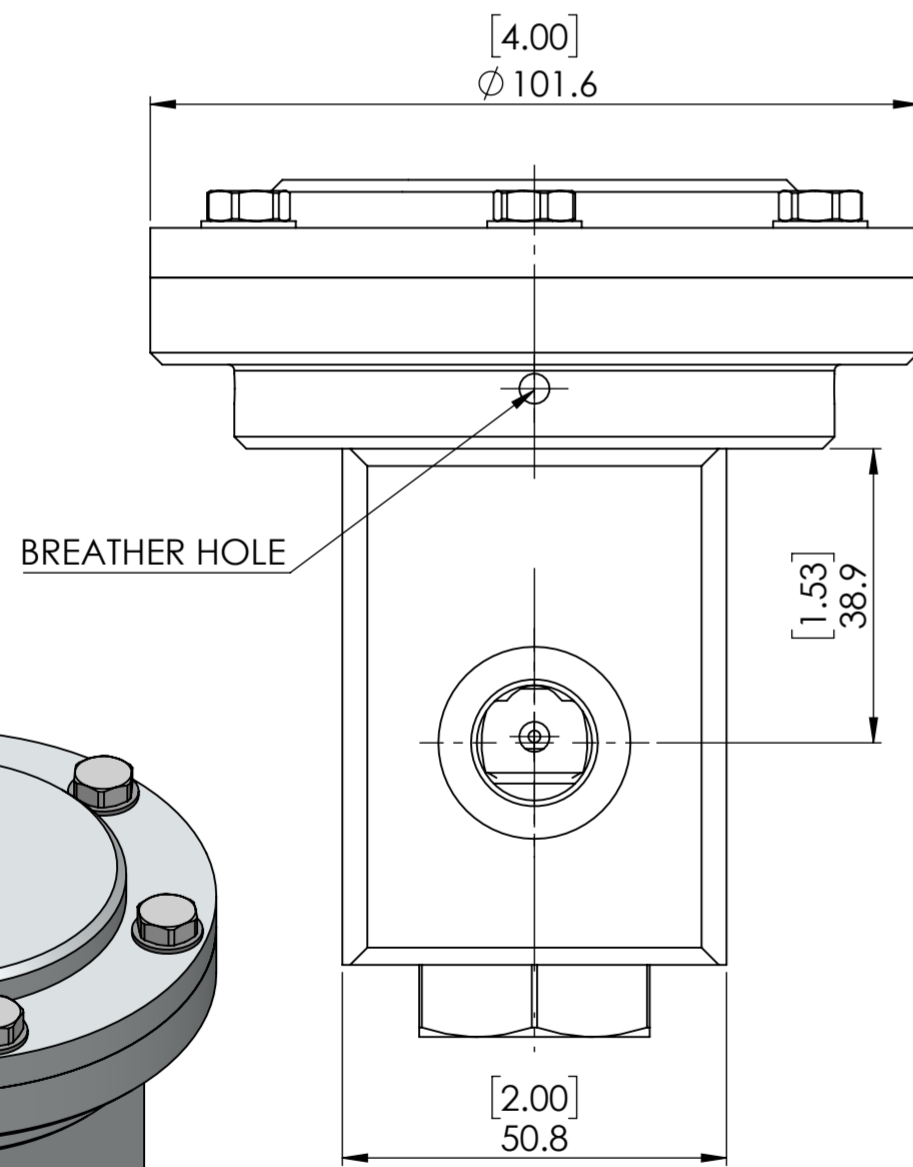
PORTING	
25P	1/4" BSPP
25N	1/4" NPT
37P	3/8" BSPP
37N	3/8" NPT

VALVE SYMBOL

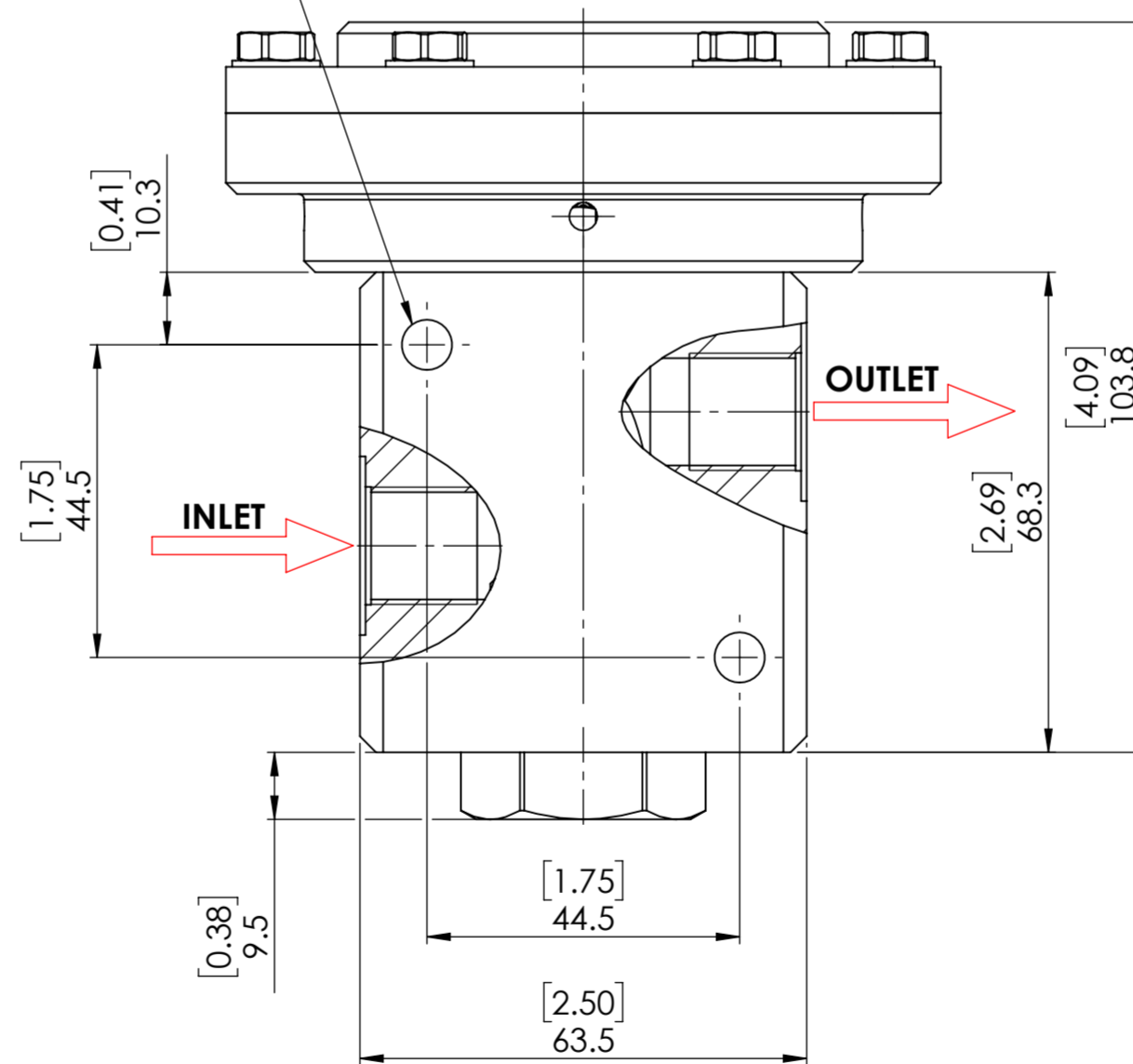


### SPECIFICATION

- ORIFICE: 6.4mm [1/4"]
- MEDIUM: GAS AND LIQUID
- 2 PORT 2 POSITION (2/2)
- PRESSURE BIASED
- NORMALLY CLOSED
- PILOT MEDIUM: GAS AND LIQUID
- DRY WEIGHT: 1.3 KG (2.9 LBS) (ALUMINIUM ALLOY)

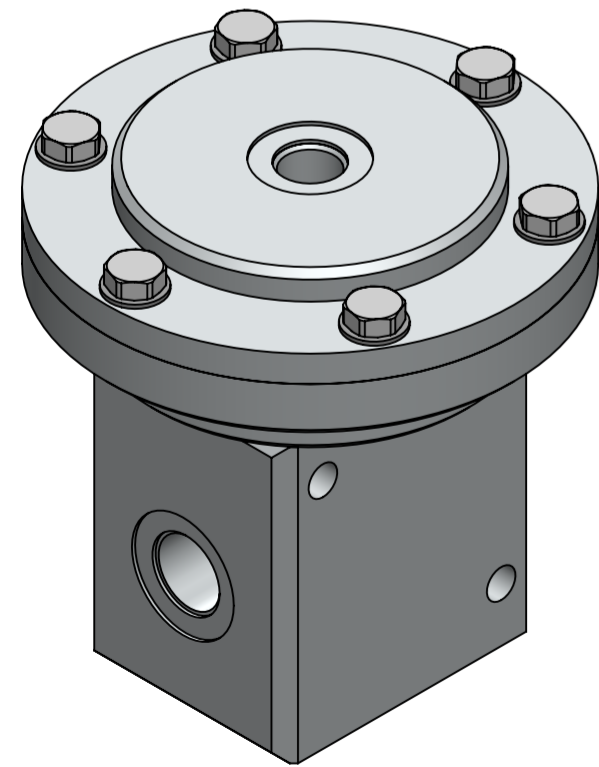
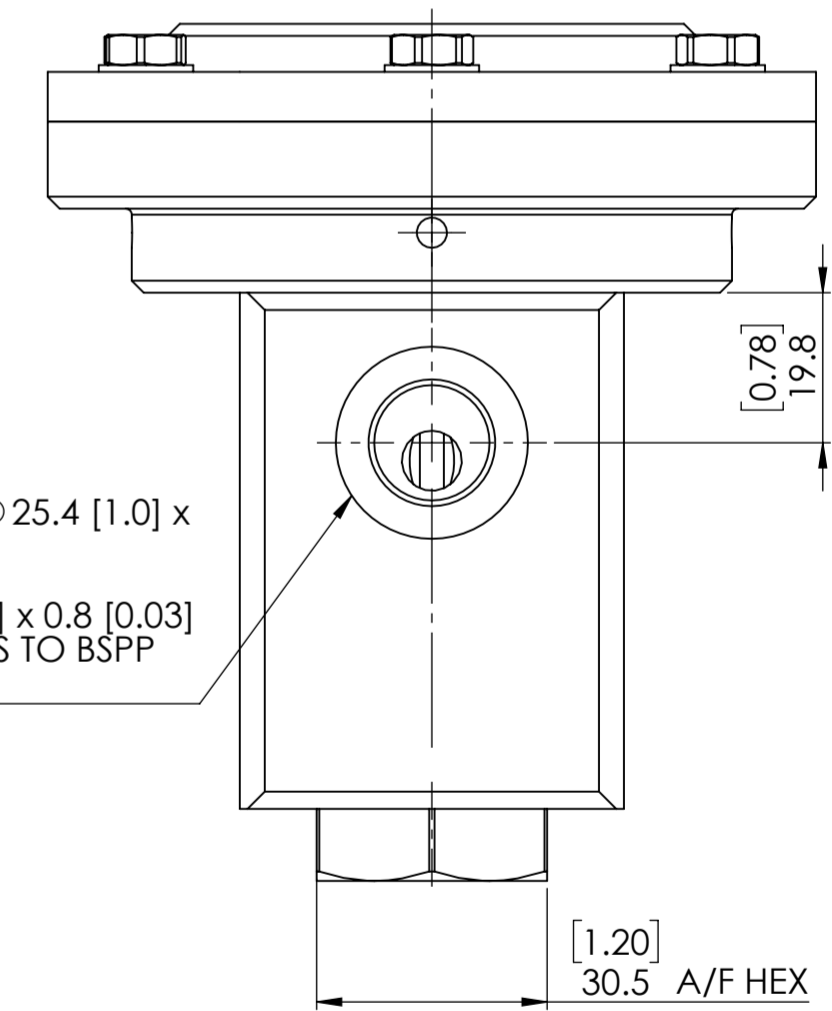


2 OFF MOUNTING HOLES TO SUIT M6 SCREWS



2 PORTS. SPOT FACE  $\phi$  25.4 [1.0] x 0.8 [0.03] DEEP

C'BORE  $\phi$  16.8 x [0.66] x 0.8 [0.03] DEEP. C'BORE APPLIES TO BSPP VALVES ONLY



© AND DESIGN RIGHT Bis Wells LTD. ALL RIGHTS RESERVED. WITHOUT THE PRIOR WRITTEN PERMISSION OF Bis Wells Ltd NO PART OF THIS DOCUMENT MAY BE ALTERED, ADAPTED, PUBLISHED, REPRODUCED OR TRANSMITTED IN ANY FORM OR MEDIUM.				UNLESS OTHERWISE SPECIFIED, DIMENSIONS ARE IN MILLIMETRES ALTERNATIVE DIMENSIONS IN SQUARE BRACKETS ARE IN INCHES						
DRAWN	N.DANIEL	SHEET	1 OF 1	 3RD ANGLE PROJECTION	DRAWING SIZE	A2	DRAWING SCALE	1:2	DRAWING NUMBER	DS0020
DATE	25/11/19	ISSUE	3							